

# FUTRUS® PARSONS TABLES

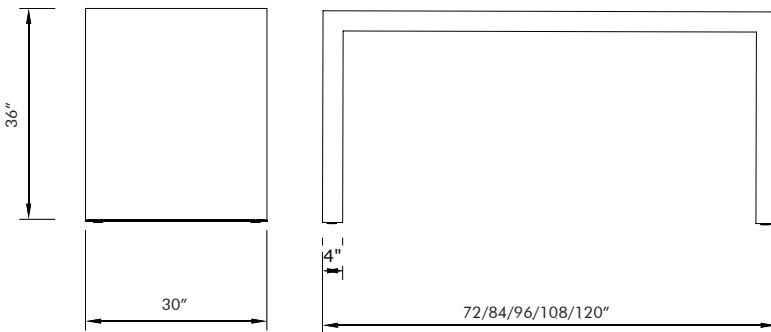
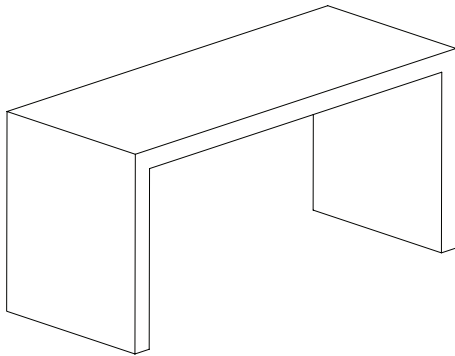
**FUTRUS**  
SOLUTIONS WITH DUPONT™ CORIAN®

## SPECIFICATION SHEET

COUNTER HEIGHT - 36" H X 30" D



**Corian.**  
SOLID SURFACE



### STANDARD FEATURES

- Seamless Corian® solid surface construction
- Patented aluminum structured framing
- Matte Finish
- Heavy duty adjustable leveling legs (floor attachment available)

### OPTIONAL UPGRADES

- Semi-gloss finish
- Advanced technology integration, including power/data grommets
- Integration of DuPont™ Corian® Charging Surface
- Modesty Panel

- \_SG Semi-gloss finish
- \_PG Power grommet
- \_CS Charging Surface
- \_MP Modesty Panel

### STANDARD COLOR OFFERINGS

- \_00 Glacier White
- \_01 Cameo White
- \_02 Bisque
- \_03 Bone
- \_04 Vanilla

Additional colors available, contact Futrus®

### MODEL

### DIMENSIONS

### WEIGHT

FPT_723036	72" W	30" D	36" H	200 lbs
FPT_843036	84" W	30" D	36" H	225 lbs
FPT_963036	96" W	30" D	36" H	250 lbs
FPT_1083036	108" W	30" D	36" H	275 lbs
FPT_1203036	120" W	30" D	36" H	325 lbs

### EXAMPLE MODEL SPECIFICATION

F	P	T	-	7	2	3	0	3	6	-	0	0	-	S	G
Model#				Width	Depth	Height	Color			Optional Upgrades					

futrus.com  
info@futrus.com  
1.877.FUTRUS1 (388.7871)

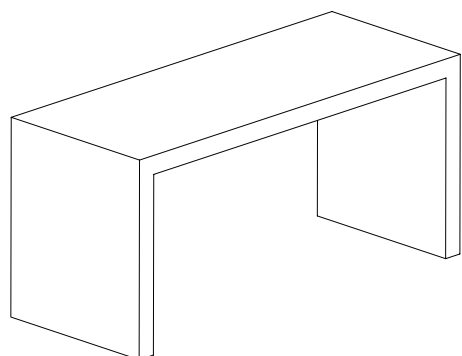
# FUTRUS® PARSONS TABLES

## SPECIFICATION SHEET

### COUNTER HEIGHT - 36" H X 36" D



**Corian.**  
SOLID SURFACE



#### STANDARD FEATURES

- Seamless Corian® solid surface construction
- Patented aluminum structured framing
- Matte Finish
- Furniture glides

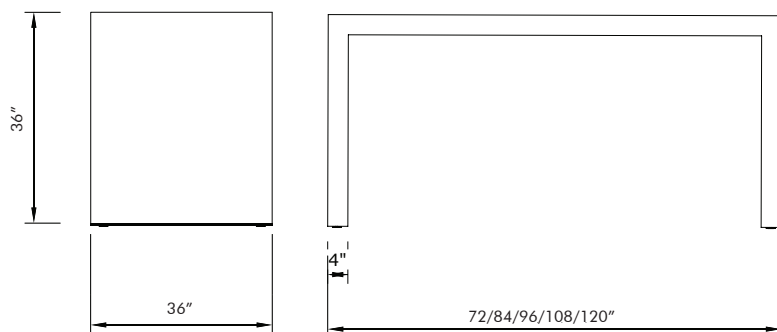
#### OPTIONAL UPGRADES

- Semi-gloss finish
  - Advanced technology integration, including power/data grommets
  - Integration of DuPont™ Corian® Charging Surface
  - Modesty Panel
- \_SG Semi-gloss finish  
 \_PG Power grommet  
 \_CS Charging Surface  
 \_MP Modesty Panel

#### STANDARD COLOR OFFERINGS

- \_00 Glacier White
- \_01 Cameo White
- \_02 Bisque
- \_03 Bone
- \_04 Vanilla

Additional colors available, contact Futrus®



MODEL	DIMENSIONS			WEIGHT
FPT_723636	72" W	36" D	36" H	275 lbs
FPT_843636	84" W	36" D	36" H	300 lbs
FPT_963636	96" W	36" D	36" H	325 lbs
FPT_1083636	108" W	36" D	36" H	350 lbs
FPT_1203636	120" W	36" D	36" H	425 lbs

#### EXAMPLE MODEL SPECIFICATION

F	P	T	-	7	2	3	6	3	6	-	0	0	-	S	G
Model#	Width		Depth	Height		Color		Optional Upgrades							

futrus.com  
 info@futrus.com  
 1.877.FUTRUS1 (388.7871)

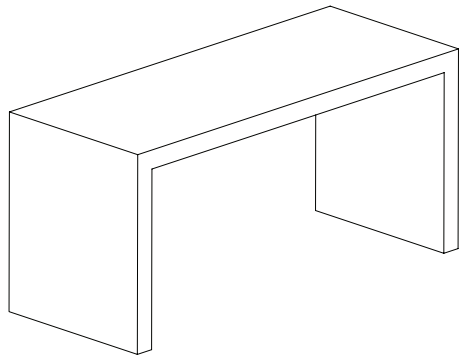
# FUTRUS® PARSONS TABLES

## SPECIFICATION SHEET

### COUNTER HEIGHT - 36" H X 42" D



**Corian.**  
SOLID SURFACE



#### STANDARD FEATURES

- Seamless Corian® solid surface construction
- Patented aluminum structured framing
- Matte Finish
- Furniture glides

#### OPTIONAL UPGRADES

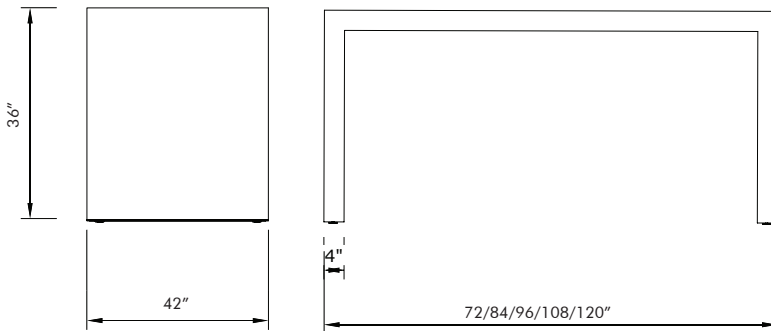
- Semi-gloss finish
- Advanced technology integration, including power/ data grommets
- Integration of DuPont™ Corian® Charging Surface
- Modesty Panels

- \_SG Semi-gloss finish
- \_PG Power grommet
- \_CS Charging Surface
- \_MP Modesty Panel

#### STANDARD COLOR OFFERINGS

- \_00 Glacier White
- \_01 Cameo White
- \_02 Bisque
- \_03 Bone
- \_04 Vanilla

Additional colors available, contact Futrus®



MODEL	DIMENSIONS			WEIGHT
FPT_724236	72" W	42" D	36" H	400 lbs
FPT_844236	84" W	42" D	36" H	425 lbs
FPT_964236	96" W	42" D	36" H	450 lbs
FPT_1084236	108" W	42" D	36" H	475 lbs
FPT_1204236	120" W	42" D	36" H	525 lbs

#### EXAMPLE MODEL SPECIFICATION

F	P	T	-	7	2	4	2	3	6	-	0	0	-	S	G
Model#		Width		Depth		Height		Color		Optional Upgrades					

futrus.com  
info@futrus.com  
1.877.FUTRUS1 (388.7871)