

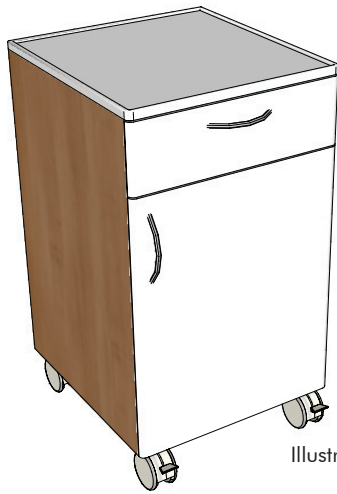
# FUTRUS® HYBRID BEDSIDE CABINET

**FUTRUS**  
SOLUTIONS WITH DUPONT™ CORIAN®

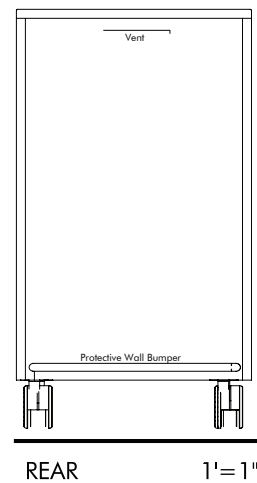
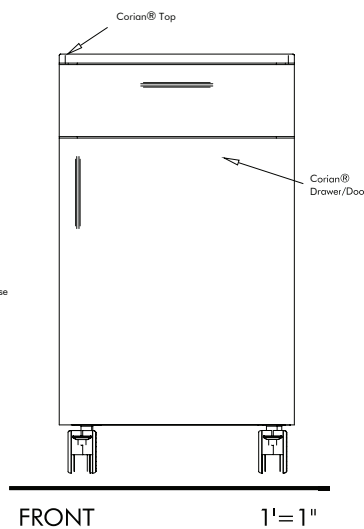
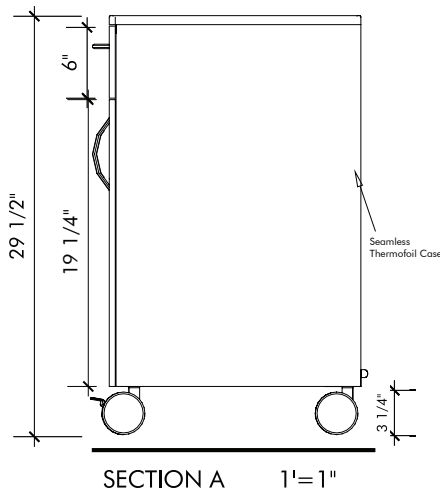
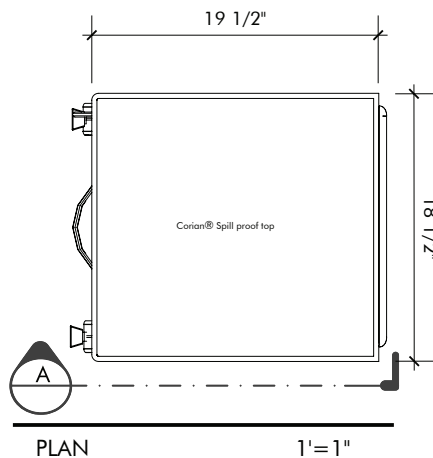


**Corian.**  
SOLID SURFACE

## SPECIFICATION SHEET MODEL: KOBSC\_1D1D\_HC



Illustrated with left handle



### STANDARD FEATURES

- Seamless Corian® solid work surface and drawers
- Patented aluminum structured framing
- Corian® in matte finish
- Seamless thermofoil sides
- Choice of arch pull, D-pull or integrated Corian® pull
- Casters
- Rear bumper and vent
- Left (L) or right side (R) handle

### OPTIONAL UPGRADES

- \_L Locking systems available
- \_SS Side Storage (universal mount)

### STANDARD CORIAN® COLOR OFFERINGS SOLID SURFACE WORK SURFACE/DRAWER/DOOR

- \_00 Glacier White
- \_01 Cameo White
- \_02 Bisque
- \_03 Bone
- \_04 Vanilla

### STANDARD THERMOFOIL COLOR OFFERINGS

- \_41 Cherry
- \_42 Maple
- \_43 Walnut

Additional colors available, contact Futrus®  
Refer to Futrus® Material Cross Reference Chart

- Beach cleanable Corian®
- Futrus® 5 year limited warranty;  
10 year limited Corian® product warranty

### EXAMPLE MODEL SPECIFICATION

K	O	B	S	C	_	1	D	1	D	L	_	H	C	_	0	0	_	4	1	_	S	S
Model#											Handle			Corian® Color		Thermofoil		Optional Upgrades				

futrus.com  
info@futrus.com  
1.877.FUTRUS1 (388.7871)