

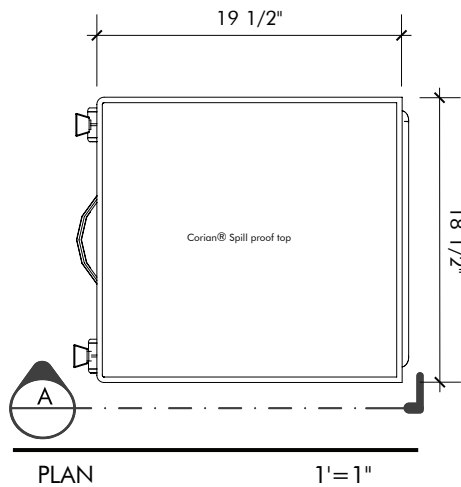
FUTRUS® HYBRID BEDSIDE CABINET

FUTRUS
SOLUTIONS WITH DUPONT™ CORIAN®



Corian.
SOLID SURFACE

SPECIFICATION SHEET MODEL: KOBSC_3DF_HC



STANDARD FEATURES

- Seamless Corian® solid work surface and drawers
- Patented aluminum structured framing
- Corian® in matte finish
- Seamless thermofoil sides
- Choice of arch pull, D-pull or integrated Corian® pull
- Casters
- Rear bumper and vent

OPTIONAL UPGRADES

- _L Locking systems available
- _SS Side Storage (universal mount)

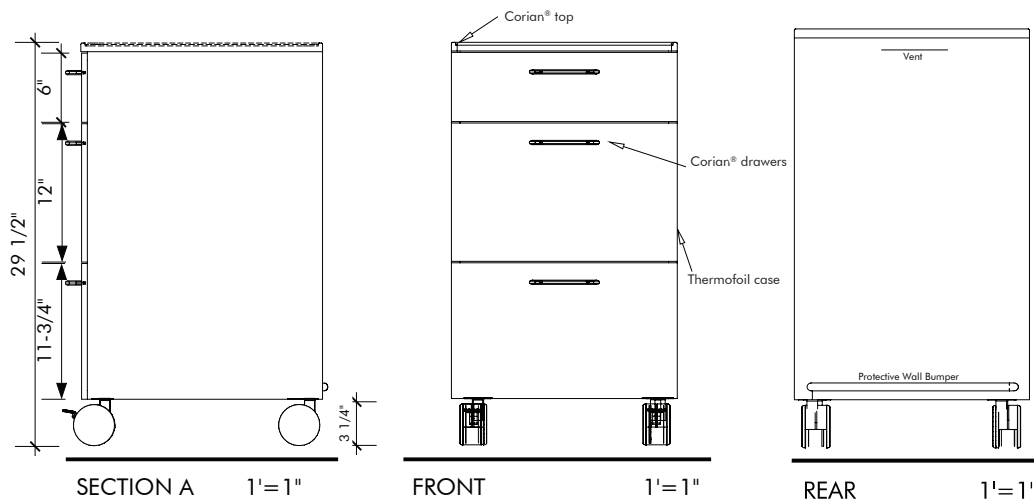
STANDARD CORIAN® COLOR OFFERINGS SOLID SURFACE WORK SURFACE AND DRAWERS

- _00 Glacier White
- _01 Cameo White
- _02 Bisque
- _03 Bone
- _04 Vanilla

STANDARD THERMOFOIL COLOR OFFERINGS

- _41 Cherry
- _42 Maple
- _43 Walnut

Additional colors available, contact Futrus®
Refer to Futrus® Material Cross Reference Chart



- Beach cleanable Corian®
- Futrus® 5 year limited warranty;
10 year limited Corian® product warranty

EXAMPLE MODEL SPECIFICATION

K	O	B	S	C	_	3	D	F	_	H	C	_	0	0	_	4	1	_	S	S
Model#										Corian® Color			Thermofoil			Optional Upgrades				

futrus.com
info@futrus.com
1.877.FUTRUS1 (388.7871)