

FUTRUS® HYBRID BEDSIDE CABINET

FUTRUS®
SOLUTIONS WITH DUPONT™ CORIAN®



Corian.
SOLID SURFACE

SPECIFICATION SHEET MODEL: KOBSC_1DF_HC



STANDARD FEATURES

- Seamless Corian® solid work surface and drawers
- Patented aluminum structured framing
- Corian® in matte finish
- Seamless thermofoil sides
- Choice of arch pull, D-pull or integrated Corian® pull
- Casters
- Rear bumper and vent

OPTIONAL UPGRADES

- _L Locking systems available
- _SS Side Storage (universal mount)

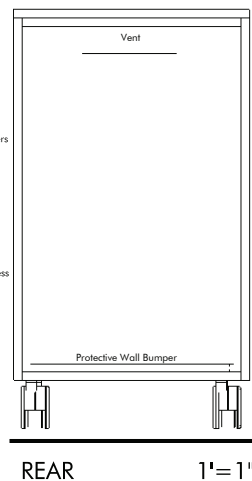
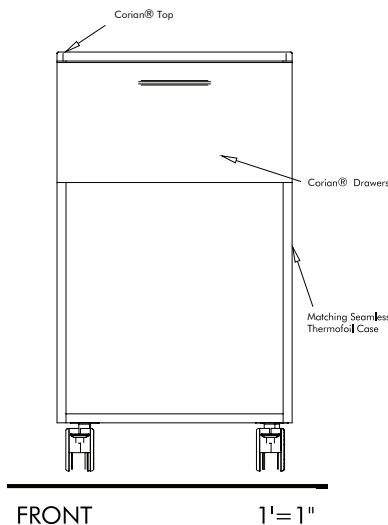
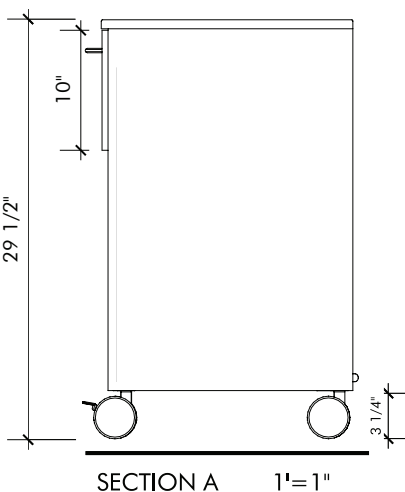
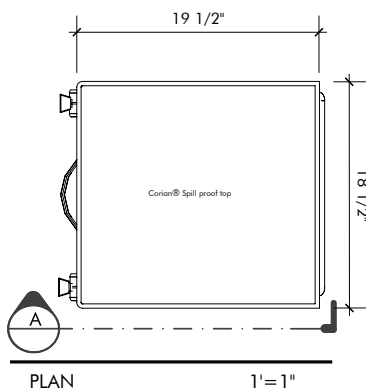
STANDARD CORIAN® COLOR OFFERINGS SOLID SURFACE WORK SURFACE AND DRAWER

- _00 Glacier White
- _01 Cameo White
- _02 Bisque
- _03 Bone
- _04 Vanilla

STANDARD THERMOFOIL COLOR OFFERINGS

- _41 Cherry
- _42 Maple
- _43 Walnut

Additional colors available, contact Futrus®
Refer to Futrus® Material Cross Reference Chart



- Beach cleanable Corian®
- Futrus® 5 year limited warranty;
10 year limited Corian® product warranty

EXAMPLE MODEL SPECIFICATION

K	O	B	S	C	_	1	D	F	_	H	C	_	0	0	_	4	1	_	S	S
Model#											Corian® Color		Thermofoil		Optional Upgrades					

futrus.com
info@futrus.com
1.877.FUTRUS1 (388.7871)

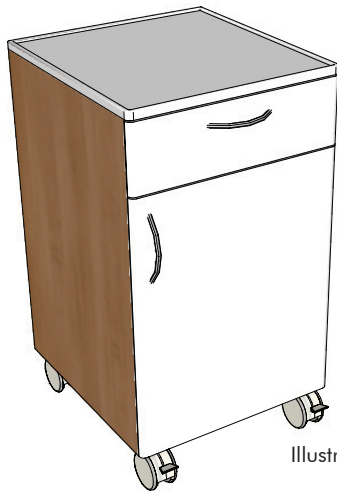
FUTRUS® HYBRID BEDSIDE CABINET

FUTRUS®
SOLUTIONS WITH DUPONT™ CORIAN®

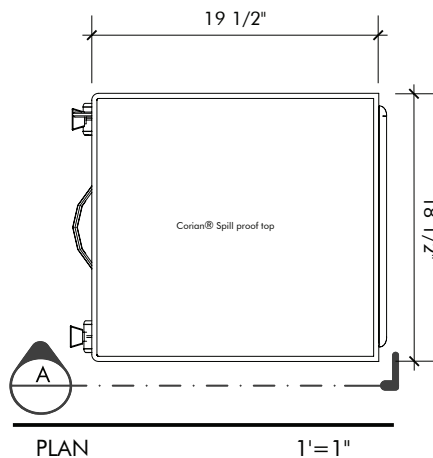


Corian.
SOLID SURFACE

SPECIFICATION SHEET MODEL: KOBSC_1D1D_HC

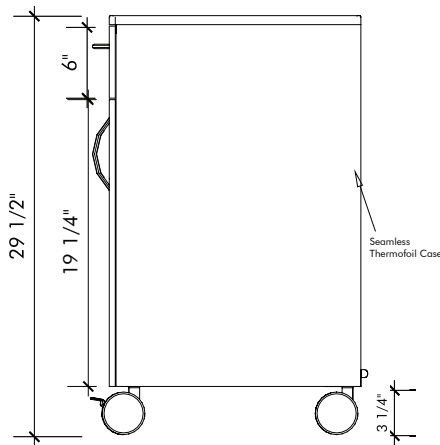


Illustrated with left handle



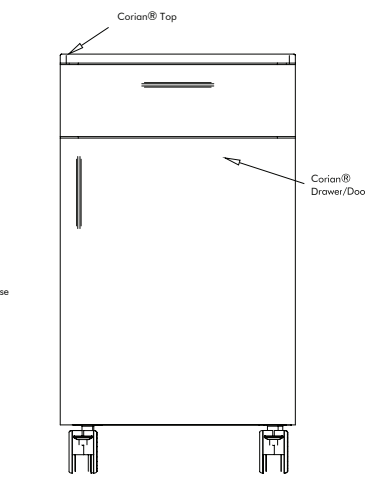
PLAN

1"=1"



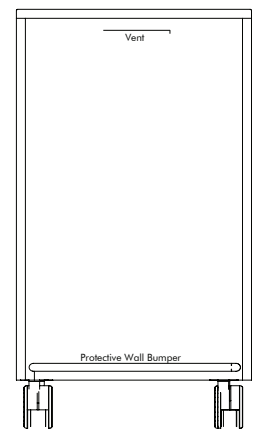
SECTION A

1"=1"



FRONT

1"=1"



REAR

1"=1"

STANDARD FEATURES

- Seamless Corian® solid work surface and drawers
- Patented aluminum structured framing
- Corian® in matte finish
- Seamless thermofoil sides
- Choice of arch pull, D-pull or integrated Corian® pull
- Casters
- Rear bumper and vent
- Left (L) or right side (R) handle

OPTIONAL UPGRADES

- _L Locking systems available
- _SS Side Storage (universal mount)

STANDARD CORIAN® COLOR OFFERINGS SOLID SURFACE WORK SURFACE/DRAWER/DOOR

- _00 Glacier White
- _01 Cameo White
- _02 Bisque
- _03 Bone
- _04 Vanilla

STANDARD THERMOFOIL COLOR OFFERINGS

- _41 Cherry
- _42 Maple
- _43 Walnut

Additional colors available, contact Futrus®
Refer to Futrus® Material Cross Reference Chart

- Beach cleanable Corian®
- Futrus® 5 year limited warranty;
10 year limited Corian® product warranty

EXAMPLE MODEL SPECIFICATION

K	O	B	S	C	_	1	D	1	D	L	_	H	C	_	0	0	_	4	1	_	S	S
---	---	---	---	---	---	---	---	---	---	---	---	---	---	---	---	---	---	---	---	---	---	---

Model#

Handle

Corian®
Color

Thermofoil

Optional
Upgrades

futrus.com
info@futrus.com
1.877.FUTRUS1 (388.7871)

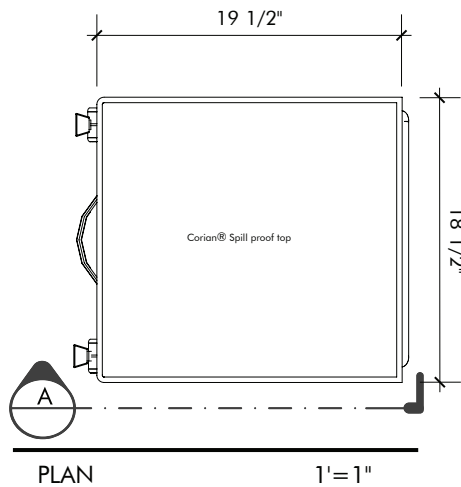
FUTRUS® HYBRID BEDSIDE CABINET

FUTRUS
SOLUTIONS WITH DUPONT™ CORIAN®



Corian.
SOLID SURFACE

SPECIFICATION SHEET MODEL: KOBSC_3DF_HC



STANDARD FEATURES

- Seamless Corian® solid work surface and drawers
- Patented aluminum structured framing
- Corian® in matte finish
- Seamless thermofoil sides
- Choice of arch pull, D-pull or integrated Corian® pull
- Casters
- Rear bumper and vent

OPTIONAL UPGRADES

- _L Locking systems available
- _SS Side Storage (universal mount)

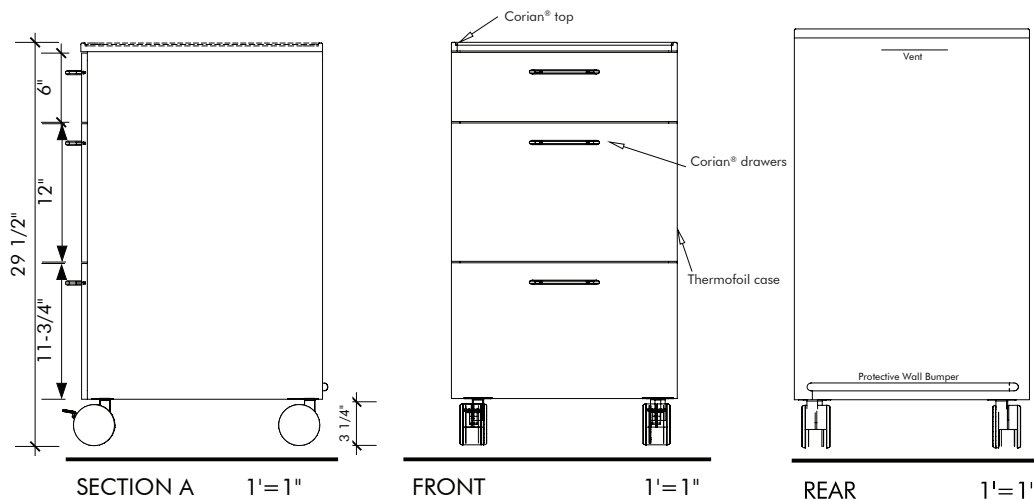
STANDARD CORIAN® COLOR OFFERINGS SOLID SURFACE WORK SURFACE AND DRAWERS

- _00 Glacier White
- _01 Cameo White
- _02 Bisque
- _03 Bone
- _04 Vanilla

STANDARD THERMOFOIL COLOR OFFERINGS

- _41 Cherry
- _42 Maple
- _43 Walnut

Additional colors available, contact Futrus®
Refer to Futrus® Material Cross Reference Chart



- Beach cleanable Corian®
- Futrus® 5 year limited warranty;
10 year limited Corian® product warranty

EXAMPLE MODEL SPECIFICATION

K	O	B	S	C	_	3	D	F	_	H	C	_	0	0	_	4	1	_	S	S
Model#										Corian® Color			Thermofoil		Optional Upgrades					

futrus.com
info@futrus.com
1.877.FUTRUS1 (388.7871)