

FUTRUS® BEDSIDE CABINET

FUTRUS
SOLUTIONS WITH DUPONT™ CORIAN®



Corian.
SOLID SURFACE

SPECIFICATION SHEET MODEL: KOBSC_3DF_CC



STANDARD FEATURES

- Seamless Corian® solid work surface and drawers
- Patented aluminum structured framing
- Corian® in matte finish
- Choice of arch pull, D-pull or integrated Corian® pull
- Casters
- Rear bumper and vent
- Bleach cleanable
- Futrus® 5 year limited warranty; 10 year limited Corian® product warranty

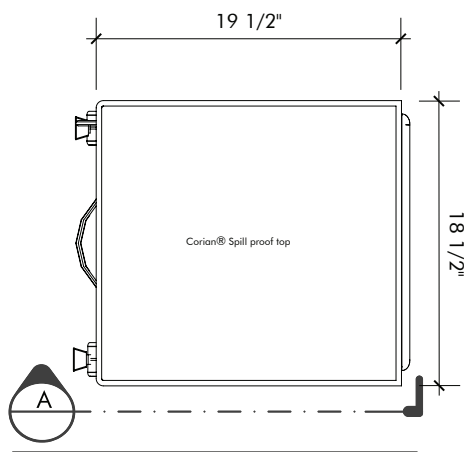
OPTIONAL UPGRADES

- _L Locking systems available
- _SS Side Storage (universal mount)

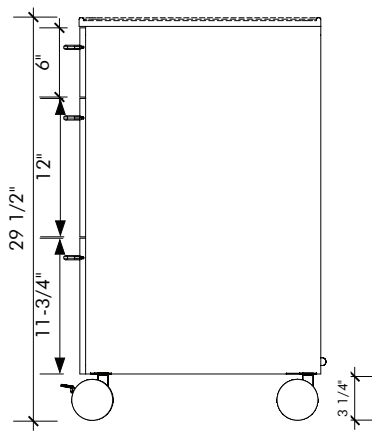
STANDARD CORIAN® COLOR OFFERINGS

- _00 Glacier White
- _01 Cameo White
- _02 Bisque
- _03 Bone
- _04 Vanilla

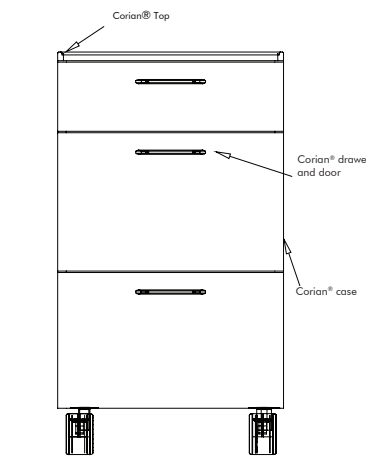
Additional colors available, contact Futrus®



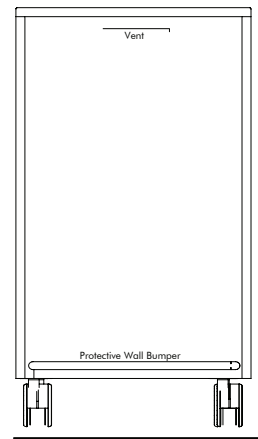
PLAN 1' = 1"



SECTION A 1' = 1"



FRONT 1' = 1"



REAR 1' = 1"

EXAMPLE MODEL SPECIFICATION

K	O	B	S	C	_	3	D	F	_	C	C	_	0	0	_	S	S
---	---	---	---	---	---	---	---	---	---	---	---	---	---	---	---	---	---

Model#

Corian®

Optional
Upgrades

futrus.com
info@futrus.com
1.877.FUTRUS1 (388.7871)