

FUTRUS® PARSONS TABLES

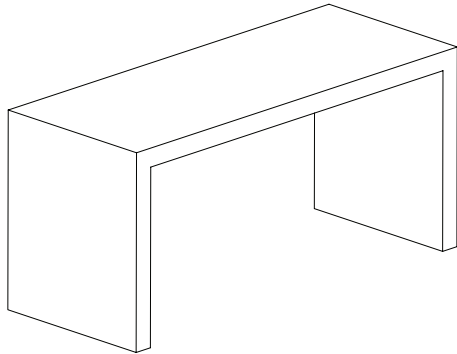
SPECIFICATION SHEET

DESK HEIGHT - 30" H X 30" D

FUTRUS
SOLUTIONS WITH DUPONT™ CORIAN®



Corian.
SOLID SURFACE



STANDARD FEATURES

- Seamless Corian® solid surface construction
- Patented aluminum structured framing
- Matte Finish
- Heavy duty adjustable leveling legs (floor attachment available)

OPTIONAL UPGRADES

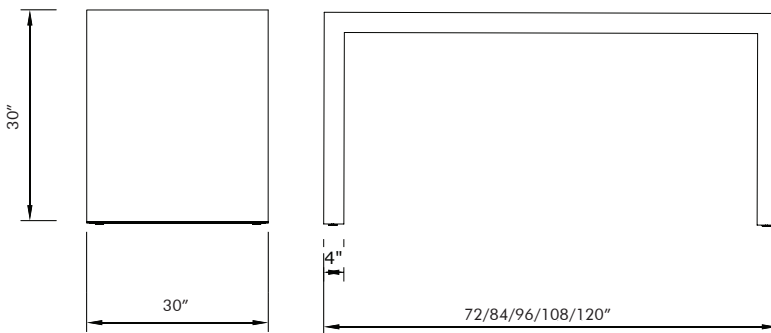
- Semi-gloss finish
- Advanced technology integration, including power/data grommets
- Integration of DuPont™ Corian® Charging Surface
- Modesty panel

- _SG Semi-gloss finish
- _PG Power Grommet
- _CS Charging Surface
- _MP Modesty Panel

STANDARD COLOR OFFERINGS

- _00 Glacier White
- _01 Cameo White
- _02 Bisque
- _03 Bone
- _04 Vanilla

Additional colors available, contact Futrus®



MODEL

DIMENSIONS

WEIGHT

FPT_723030	72" W	30" D	30" H	175 lbs
FPT_843030	84" W	30" D	30" H	200 lbs
FPT_963030	96" W	30" D	30" H	225 lbs
FPT_1083030	108" W	30" D	30" H	250 lbs
FPT_1203030	120" W	30" D	30" H	300 lbs

For custom sizes contact Futrus®

EXAMPLE MODEL SPECIFICATION

F	P	T	-	7	2	3	0	3	0	-	0	0	-	S	G
Model#				Width	Depth	Height	Color			Optional Upgrades					

futrus.com
info@futrus.com
1.877.FUTRUS1 (388.7871)

FUTRUS® PARSONS TABLES

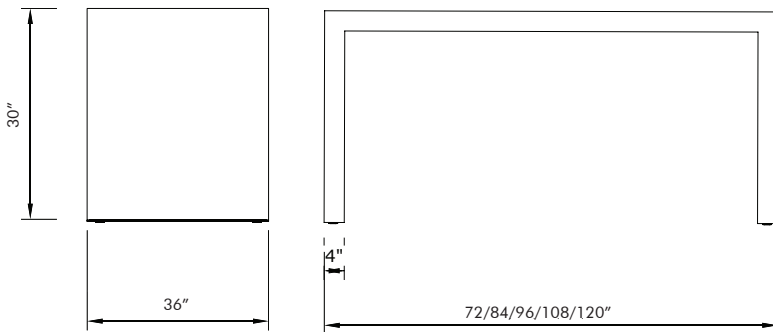
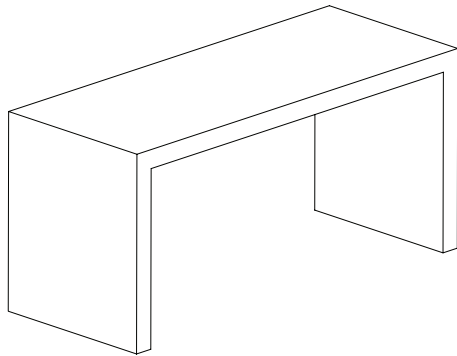
FUTRUS
SOLUTIONS WITH DUPONT™ CORIAN®

SPECIFICATION SHEET

DESK HEIGHT - 30" H X 36" D



Corian.
SOLID SURFACE



STANDARD FEATURES

- Seamless Corian® solid surface construction
- Patented aluminum structured framing
- Matte Finish
- Furniture glides

OPTIONAL UPGRADES

- Semi-gloss finish
 - Advanced technology integration, including power/ data grommets
 - Integration of DuPont™ Corian® Charging Surface
 - Modesty Panel
- _SG Semi-gloss finish
 _PG Power grommet
 _CS Charging Surface
 _MP Modesty Panel

STANDARD COLOR OFFERINGS

- _00 Glacier White
- _01 Cameo White
- _02 Bisque
- _03 Bone
- _04 Vanilla

Additional colors available, contact Futrus®

MODEL	DIMENSIONS			WEIGHT
FPT_723630	72" W	36" D	30" H	250 lbs
FPT_843630	84" W	36" D	30" H	275 lbs
FPT_963630	96" W	36" D	30" H	300 lbs
FPT_1083630	108" W	36" D	30" H	325 lbs
FPT_1203630	120" W	36" D	30" H	350 lbs

EXAMPLE MODEL SPECIFICATION

F	P	T	-	7	2	3	6	3	0	-	0	0	-	S	G
Model#	Width		Depth	Height		Color		Optional Upgrades							

futrus.com
 info@futrus.com
 1.877.FUTRUS1 (388.7871)

FUTRUS® PARSONS TABLES

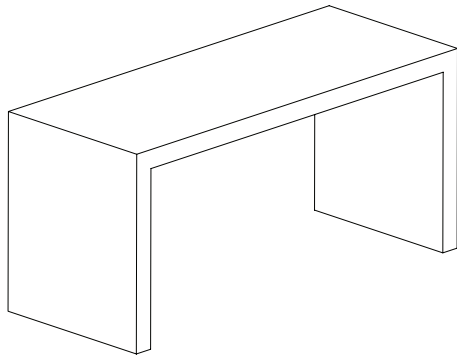
FUTRUS
SOLUTIONS WITH DUPONT™ CORIAN®

SPECIFICATION SHEET

DESK HEIGHT - 30" H X 42" D



Corian.
SOLID SURFACE



STANDARD FEATURES

- Seamless Corian® solid surface construction
- Patented aluminum structured framing
- Matte Finish
- Furniture glides

OPTIONAL UPGRADES

- Semi-gloss finish
- Advanced technology integration, including power/data grommets
- Integration of DuPont™ Corian® Charging Surface
- Modesty Panel

_SG Semi-gloss finish

_PG Power grommet

_CS Charging Surface

_MP Modesty Panel

STANDARD COLOR OFFERINGS

_00 Glacier White

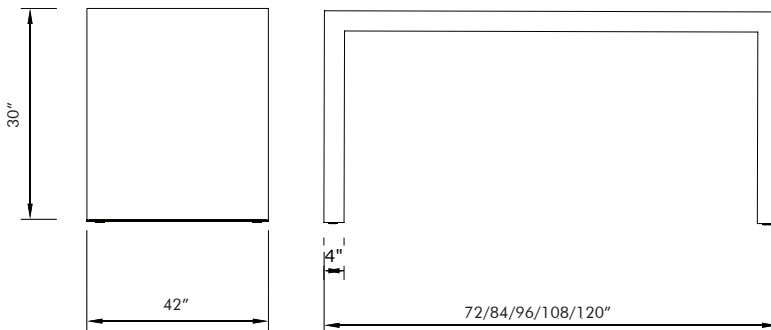
_01 Cameo White

_02 Bisque

_03 Bone

_04 Vanilla

Additional colors available, contact Futrus®



MODEL	DIMENSIONS			WEIGHT
FPT_724230	72" W	42" D	30" H	375 lbs
FPT_844230	84" W	42" D	30" H	400 lbs
FPT_964230	96" W	42" D	30" H	425 lbs
FPT_1084230	108" W	42" D	30" H	450 lbs
FPT_1204230	120" W	42" D	30" H	475 lbs

EXAMPLE MODEL SPECIFICATION

F	P	T	_	7	2	4	2	3	0	_	0	0	_	S	G
---	---	---	---	---	---	---	---	---	---	---	---	---	---	---	---

Model#

Color

Optional Upgrades

futrus.com

info@futrus.com

1.877.FUTRUS1 (388.7871)

FUTRUS® PARSONS TABLES

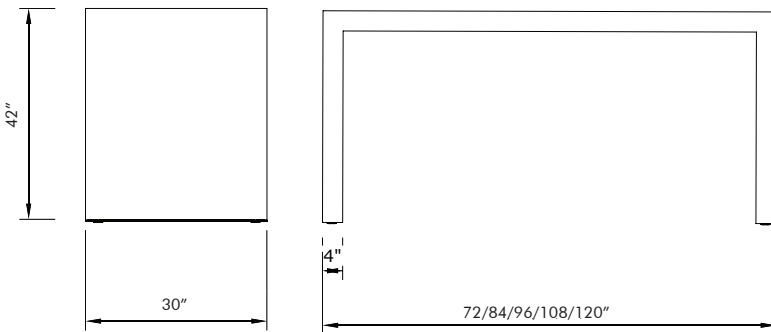
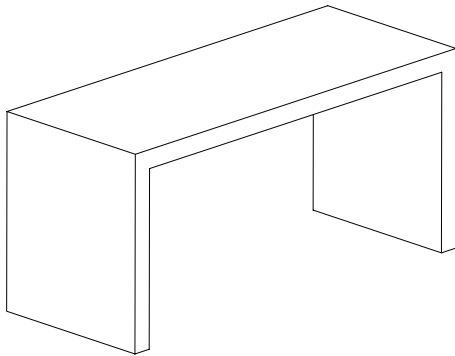
FUTRUS
SOLUTIONS WITH DUPONT™ CORIAN®

SPECIFICATION SHEET

STANDING HEIGHT - 42" H X 30" D



Corian.
SOLID SURFACE



STANDARD FEATURES

- Seamless Corian® solid surface construction
- Patented aluminum structured framing
- Matte Finish
- Heavy duty adjustable leveling legs (floor attachment available)

OPTIONAL UPGRADES

- Semi-gloss finish
- Advanced technology integration, including power/data grommets
- Integration of DuPont™ Corian® Charging Surface
- Modesty Panel

- _SG Semi-gloss finish
- _PG Power grommet
- _CS Charging Surface
- _MP Modesty Panel

STANDARD COLOR OFFERINGS

- _00 Glacier White
- _01 Cameo White
- _02 Bisque
- _03 Bone
- _04 Vanilla

Additional colors available, contact Futrus®

MODEL	DIMENSIONS			WEIGHT
FPT_723042	72" W	30" D	42" H	225 lbs
FPT_843042	84" W	30" D	42" H	250 lbs
FPT_963042	96" W	30" D	42" H	275 lbs
FPT_1083042	108" W	30" D	42" H	325 lbs
FPT_1203042	120" W	30" D	42" H	350 lbs

EXAMPLE MODEL SPECIFICATION

F	P	T	-	7	2	3	0	4	2	-	0	0	-	S	G
Model#	Width		Depth	Height		Color		Optional Upgrades							

futrus.com
info@futrus.com
1.877.FUTRUS1 (388.7871)

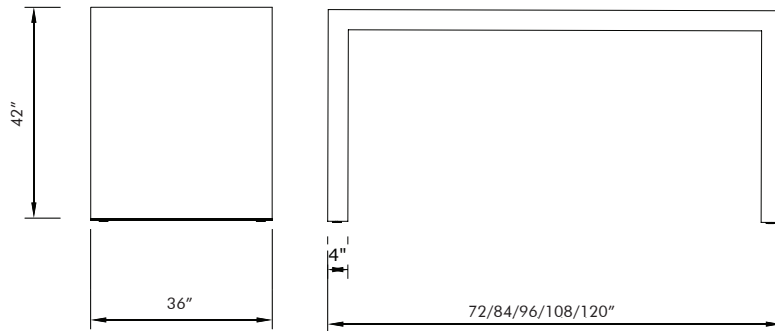
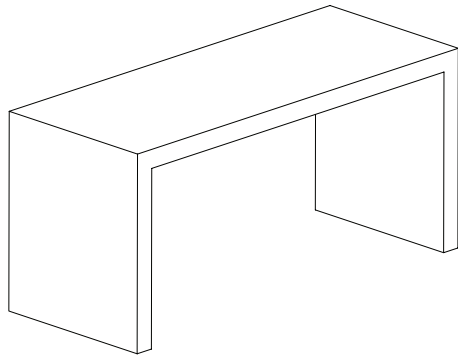
FUTRUS® PARSONS TABLES

SPECIFICATION SHEET

STANDING HEIGHT - 42" H X 36" D



Corian.
SOLID SURFACE



STANDARD FEATURES

- Seamless Corian® solid surface construction
- Patented aluminum structured framing
- Matte Finish
- Furniture glides

OPTIONAL UPGRADES

- Semi-gloss finish
 - Advanced technology integration, including power/data grommets
 - Integration of DuPont™ Corian® Charging Surface
 - Modesty Panel
- _SG Semi-gloss finish
 _PG Power grommet
 _CS Charging Surface
 _MP Modesty Panel

STANDARD COLOR OFFERINGS

- _00 Glacier White
- _01 Cameo White
- _02 Bisque
- _03 Bone
- _04 Vanilla

Additional colors available, contact Futrus®

MODEL	DIMENSIONS			WEIGHT
FPT_723642	72" W	36" D	42" H	350 lbs
FPT_843642	84" W	36" D	42" H	375 lbs
FPT_963642	96" W	36" D	42" H	425 lbs
FPT_1083642	108" W	36" D	42" H	450 lbs
FPT_1203642	120" W	36" D	42" H	475 lbs

EXAMPLE MODEL SPECIFICATION

F	P	T	-	7	2	3	6	4	2	-	0	0	-	S	G
Model#	Width		Depth	Height		Color		Optional Upgrades							

futrus.com
 info@futrus.com
 1.877.FUTRUS1 (388.7871)

FUTRUS® PARSONS TABLES

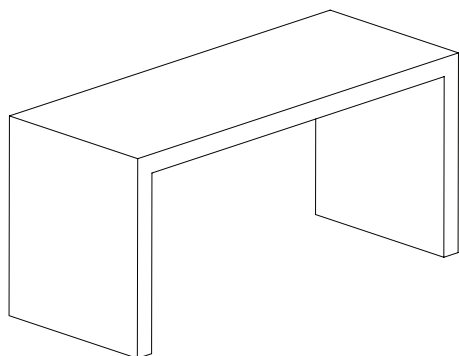
SPECIFICATION SHEET

STANDING HEIGHT - 42" H X 42" D

FUTRUS
SOLUTIONS WITH DUPONT™ CORIAN®



Corian.
SOLID SURFACE



STANDARD FEATURES

- Seamless Corian® solid surface construction
- Patented aluminum structured framing
- Matte Finish
- Furniture glides

OPTIONAL UPGRADES

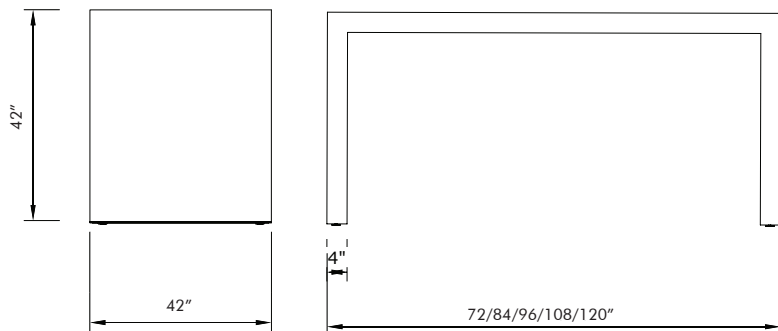
- Semi-gloss finish
- Advanced technology integration, including power/ data grommets
- Integration of DuPont™ Corian® Charging Surface
- Modesty Panels

- _SG Semi-gloss finish
- _PG Power grommet
- _CS Charging Surface
- _MP Modesty Panel

STANDARD COLOR OFFERINGS

- _00 Glacier White
- _01 Cameo White
- _02 Bisque
- _03 Bone
- _04 Vanilla

Additional colors available, contact Futrus®



MODEL

DIMENSIONS

WEIGHT

FPT_724242	72" W	42" D	42" H	450 lbs
FPT_844242	84" W	42" D	42" H	475 lbs
FPT_964242	96" W	42" D	42" H	500 lbs
FPT_1084242	108" W	42" D	42" H	525 lbs
FPT_1204242	120" W	42" D	42" H	575 lbs

EXAMPLE MODEL SPECIFICATION

F	P	T	-	7	2	4	2	4	2	-	0	0	-	S	G
Model#		Width		Depth		Height		Color		Optional Upgrades					

futrus.com
info@futrus.com
1.877.FUTRUS1 (388.7871)

FUTRUS® PARSONS TABLES

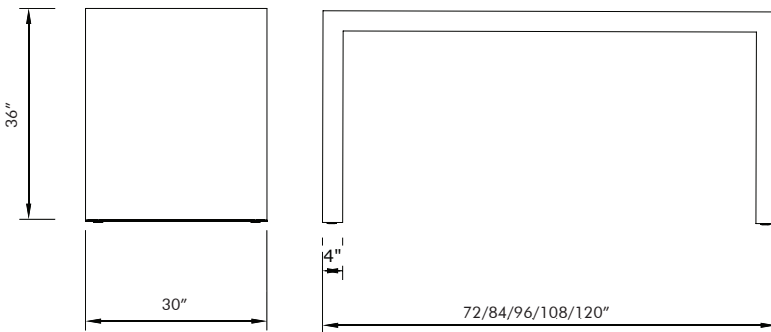
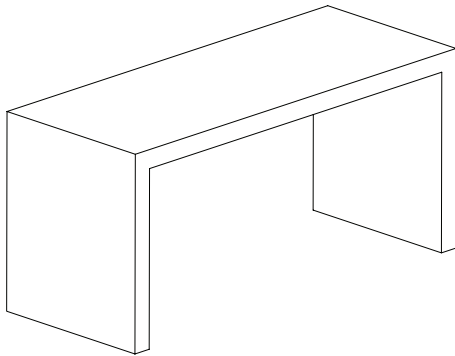
FUTRUS
SOLUTIONS WITH DUPONT™ CORIAN®

SPECIFICATION SHEET

COUNTER HEIGHT - 36" H X 30" D



Corian.
SOLID SURFACE



STANDARD FEATURES

- Seamless Corian® solid surface construction
- Patented aluminum structured framing
- Matte Finish
- Heavy duty adjustable leveling legs (floor attachment available)

OPTIONAL UPGRADES

- Semi-gloss finish
- Advanced technology integration, including power/data grommets
- Integration of DuPont™ Corian® Charging Surface
- Modesty Panel

- _SG Semi-gloss finish
- _PG Power grommet
- _CS Charging Surface
- _MP Modesty Panel

STANDARD COLOR OFFERINGS

- _00 Glacier White
- _01 Cameo White
- _02 Bisque
- _03 Bone
- _04 Vanilla

Additional colors available, contact Futrus®

MODEL	DIMENSIONS			WEIGHT
FPT_723036	72" W	30" D	36" H	200 lbs
FPT_843036	84" W	30" D	36" H	225 lbs
FPT_963036	96" W	30" D	36" H	250 lbs
FPT_1083036	108" W	30" D	36" H	275 lbs
FPT_1203036	120" W	30" D	36" H	325 lbs

EXAMPLE MODEL SPECIFICATION

F	P	T	-	7	2	3	0	3	6	-	0	0	-	S	G
Model#	Width			Depth			Height			Color			Optional Upgrades		

futrus.com
info@futrus.com
1.877.FUTRUS1 (388.7871)

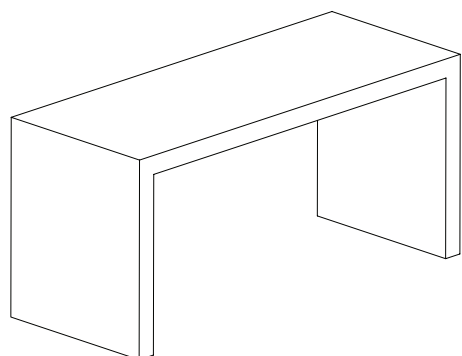
FUTRUS® PARSONS TABLES

SPECIFICATION SHEET

COUNTER HEIGHT - 36" H X 36" D



Corian.
SOLID SURFACE



STANDARD FEATURES

- Seamless Corian® solid surface construction
- Patented aluminum structured framing
- Matte Finish
- Furniture glides

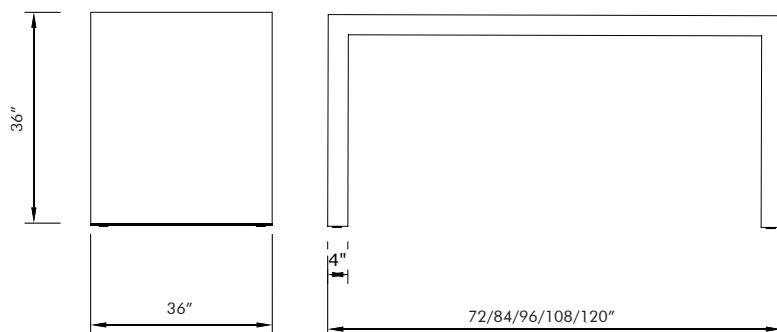
OPTIONAL UPGRADES

- Semi-gloss finish
 - Advanced technology integration, including power/data grommets
 - Integration of DuPont™ Corian® Charging Surface
 - Modesty Panel
- _SG Semi-gloss finish
 _PG Power grommet
 _CS Charging Surface
 _MP Modesty Panel

STANDARD COLOR OFFERINGS

- _00 Glacier White
- _01 Cameo White
- _02 Bisque
- _03 Bone
- _04 Vanilla

Additional colors available, contact Futrus®



MODEL	DIMENSIONS			WEIGHT
FPT_723636	72" W	36" D	36" H	275 lbs
FPT_843636	84" W	36" D	36" H	300 lbs
FPT_963636	96" W	36" D	36" H	325 lbs
FPT_1083636	108" W	36" D	36" H	350 lbs
FPT_1203636	120" W	36" D	36" H	425 lbs

EXAMPLE MODEL SPECIFICATION

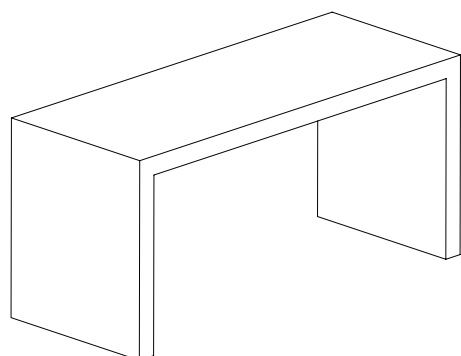
F	P	T	-	7	2	3	6	3	6	-	0	0	-	S	G
Model#	Width		Depth	Height		Color		Optional Upgrades							

futrus.com
 info@futrus.com
 1.877.FUTRUS1 (388.7871)

FUTRUS® PARSONS TABLES

SPECIFICATION SHEET

COUNTER HEIGHT - 36" H X 42" D



STANDARD FEATURES

- Seamless Corian® solid surface construction
- Patented aluminum structured framing
- Matte Finish
- Furniture glides

OPTIONAL UPGRADES

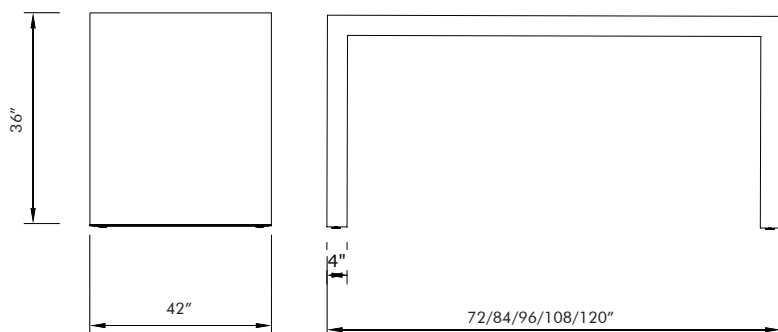
- Semi-gloss finish
- Advanced technology integration, including power/ data grommets
- Integration of DuPont™ Corian® Charging Surface
- Modesty Panels

- _SG Semi-gloss finish
- _PG Power grommet
- _CS Charging Surface
- _MP Modesty Panel

STANDARD COLOR OFFERINGS

- _00 Glacier White
- _01 Cameo White
- _02 Bisque
- _03 Bone
- _04 Vanilla

Additional colors available, contact Futrus®



MODEL	DIMENSIONS			WEIGHT
FPT_724236	72" W	42" D	36" H	400 lbs
FPT_844236	84" W	42" D	36" H	425 lbs
FPT_964236	96" W	42" D	36" H	450 lbs
FPT_1084236	108" W	42" D	36" H	475 lbs
FPT_1204236	120" W	42" D	36" H	525 lbs

EXAMPLE MODEL SPECIFICATION

F	P	T	-	7	2	4	2	3	6	-	0	0	-	S	G
Model#		Width		Depth		Height		Color		Optional Upgrades					

futrus.com
info@futrus.com
1.877.FUTRUS1 (388.7871)