

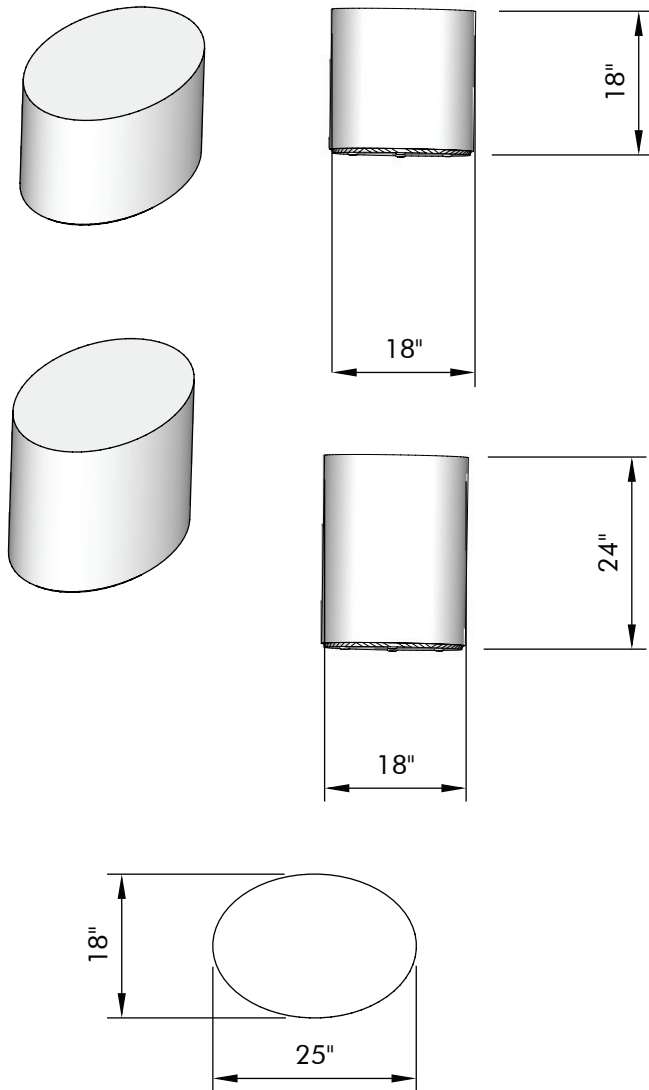
FUTRUS® OCCASIONAL TABLES

SPECIFICATION SHEET OVAL TABLES | SMALL

FUTRUS
SOLUTIONS WITH DUPONT™ CORIAN®



Corian.
SOLID SURFACE



STANDARD FEATURES

- Seamless Corian® solid surface construction
- Matte Finish
- Furniture glides

OPTIONAL UPGRADES

- Semi-gloss finish
- Advanced technology integration, including power/data grommets
- Integration of DuPont™ Corian® Charging Surface

- _SG Semi-gloss finish
- _PG Power grommet
- _CS Charging Surface

STANDARD COLOR OFFERINGS

- _00 Glacier White
- _01 Cameo White
- _02 Bisque
- _03 Bone
- _04 Vanilla

Additional colors available, contact Futrus®

MODEL		DIMENSIONS			WEIGHT
FOVAL_18	SMALL	25" W	18" D	18" H	48 lbs
FOVAL_1824	SMALL TALL	25" W	18" D	24" H	60 lbs

EXAMPLE MODEL SPECIFICATION

F	O	V	A	L	-	1	8	-	0	0	-	S	G
Model#							Color			Optional Upgrades			

futrus.com
info@futrus.com
1.877.FUTRUS1 (388.7871)

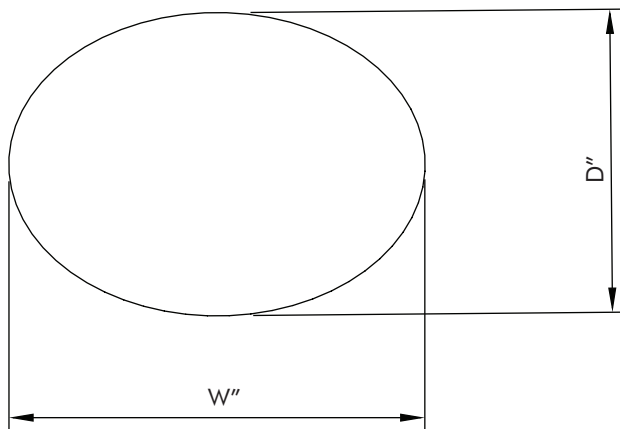
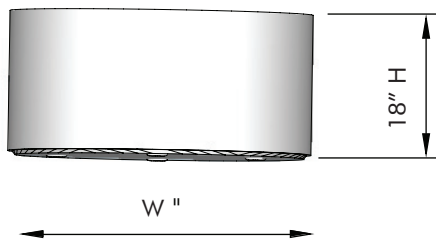
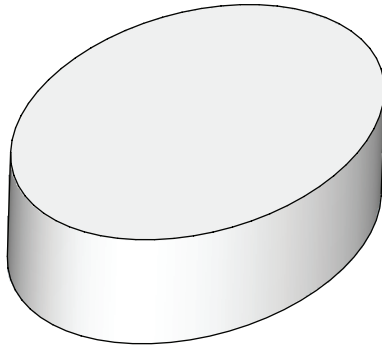
FUTRUS® OCCASIONAL TABLES

SPECIFICATION SHEET

OVAL TABLES | MEDIUM/LARGE



Corian.
SOLID SURFACE



STANDARD FEATURES

- Seamless Corian® solid surface construction
- Matte Finish
- Furniture glides

OPTIONAL UPGRADES

- Semi-gloss finish
- Advanced technology integration, including power/data grommets
- Integration of DuPont™ Corian® Charging Surface

- _SG Semi-gloss finish
- _PG Power grommet
- _CS Charging Surface

STANDARD COLOR OFFERINGS

- _00 Glacier White
- _01 Cameo White
- _02 Bisque
- _03 Bone
- _04 Vanilla

Additional colors available, contact Futrus®

MODEL		DIMENSIONS			WEIGHT
FOVAL_46	MEDIUM	46" W	34" D	18" H	115 lbs
FOVAL_52	LARGE	52" W	38" D	18" H	155 lbs

EXAMPLE MODEL SPECIFICATION

F	O	V	A	L	-	4	6	-	0	0	-	S	G
Model#					Color					Optional Upgrades			

futrus.com
info@futrus.com
1.877.FUTRUS1 (388.7871)