

# FUTRUS® HYBRID BEDSIDE CABINET

**FUTRUS**  
SOLUTIONS WITH DUPONT™ CORIAN®



**Corian.**  
SOLID SURFACE

## SPECIFICATION SHEET MODEL: KOBSC\_3DF\_HF



### STANDARD FEATURES

- Seamless Corian® solid work surface and drawers
- Patented aluminum structured framing
- Corian® in matte finish
- Seamless thermofoil sides
- Choice of arch pull, D-pull or integrated Corian® pull
- Furniture glides
- Rear bumper and vent

### OPTIONAL UPGRADES

- \_L Locking systems available
- \_SS Side Storage (universal mount)

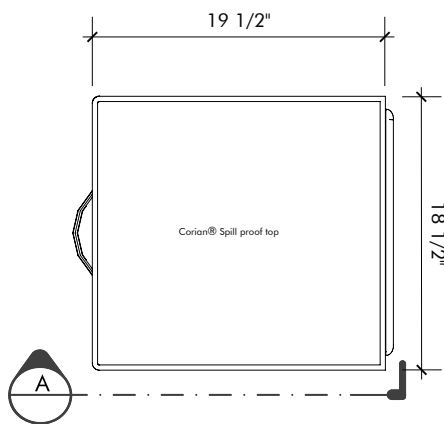
### STANDARD CORIAN® COLOR OFFERINGS SOLID SURFACE WORK SURFACE AND DRAWERS

- \_00 Glacier White
- \_01 Cameo White
- \_02 Bisque
- \_03 Bone
- \_04 Vanilla

### STANDARD THERMOFOIL COLOR OFFERINGS

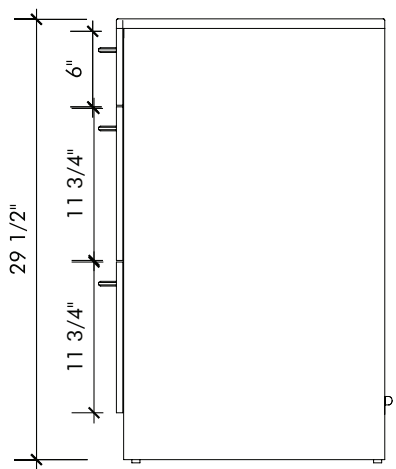
- \_41 Cherry
- \_42 Maple
- \_43 Walnut

Additional colors available, contact Futrus®  
Refer to Futrus® Material Cross Reference Chart



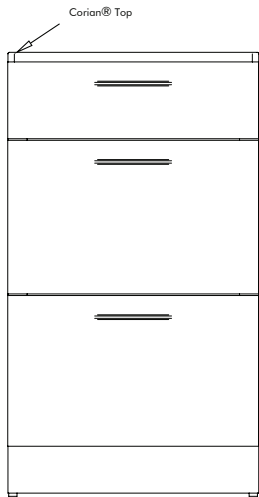
PLAN

1' = 1"



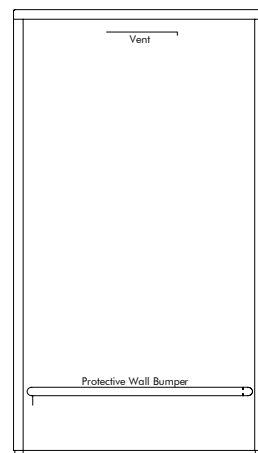
SECTION A

1' = 1"



FRONT

1' = 1"



REAR

1' = 1"

- Beach cleanable Corian®
- Futrus® 5 year limited warranty;  
10 year limited Corian® product warranty

### EXAMPLE MODEL SPECIFICATION

K	O	B	S	C	_	3	D	F	_	H	F	_	0	0	_	4	1	_	S	S
---	---	---	---	---	---	---	---	---	---	---	---	---	---	---	---	---	---	---	---	---

Model#

Corian®  
Color

Thermofoil

Optional  
Upgrades

futrus.com  
info@futrus.com  
1.877.FUTRUS1 (388.7871)