

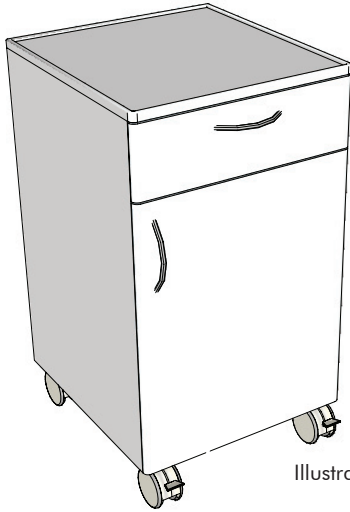
# FUTRUS® BEDSIDE CABINET

**FUTRUS**  
SOLUTIONS WITH DUPONT™ CORIAN®



**Corian.**  
SOLID SURFACE

## SPECIFICATION SHEET MODEL: KOBSC\_1D1D\_CC



Illustrated with left handle

### STANDARD FEATURES

- Seamless Corian® solid surface
- Patented aluminum structured framing
- Corian® in matte finish
- Choice of arch pull, D-pull or integrated Corian® pull
- Casters
- Rear bumper and vent
- Left (L) or right side (R) handle
- Bleach cleanable
- Futrus® 5 year limited warranty; 10 year limited Corian® product warranty

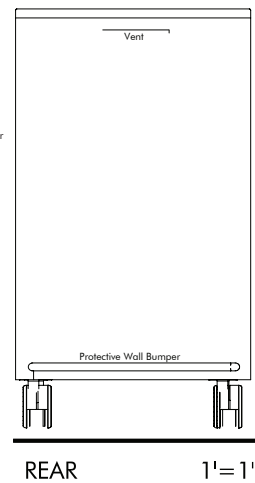
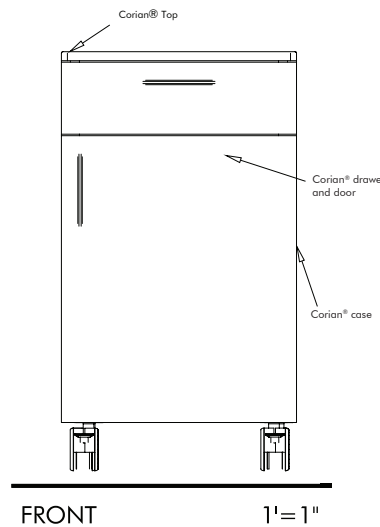
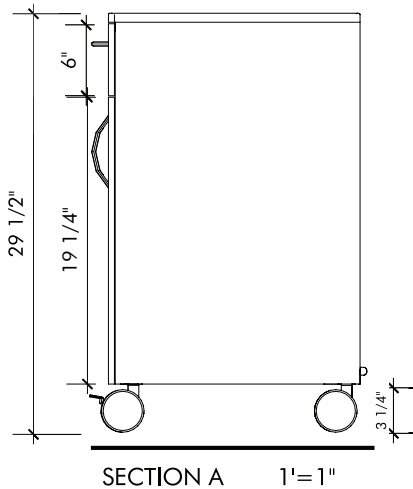
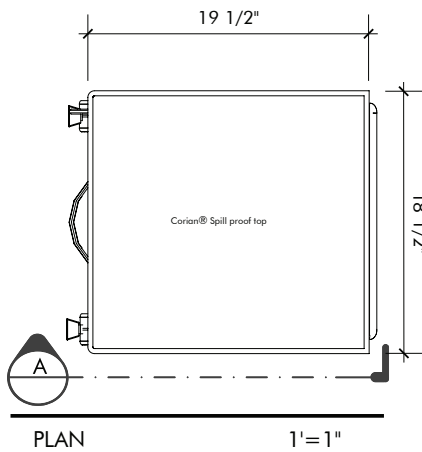
### OPTIONAL UPGRADES

- \_L Locking systems available
- \_SS Side Storage (universal mount)

### STANDARD CORIAN® COLOR OFFERINGS

- \_00 Glacier White
- \_01 Cameo White
- \_02 Bisque
- \_03 Bone
- \_04 Vanilla

Additional colors available, contact Futrus®



### EXAMPLE MODEL SPECIFICATION

K	O	B	S	C	_	1	D	1	D	L	_	C	C	_	0	0	_	S	S
---	---	---	---	---	---	---	---	---	---	---	---	---	---	---	---	---	---	---	---

Model#

Handle

Corian®  
Color

Optional  
Upgrades

futrus.com  
info@futrus.com  
1.877.FUTRUS1 (388.7871)