

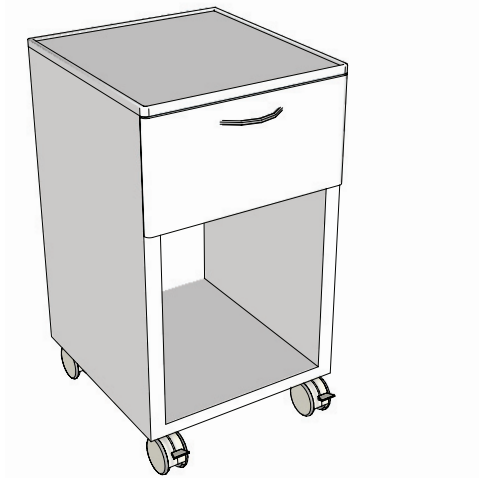
FUTRUS® BEDSIDE CABINET

FUTRUS
SOLUTIONS WITH DUPONT™ CORIAN®



Corian.
SOLID SURFACE

SPECIFICATION SHEET MODEL: KOBSC_1DF_CC



STANDARD FEATURES

- Seamless Corian® solid surface
- Patented aluminum structured framing
- Corian® in matte finish
- Choice of arch pull, D-pull or integrated Corian® pull
- Casters
- Rear bumper and vent
- Bleach cleanable
- Futrus® 5 year limited warranty; 10 year limited Corian® product warranty

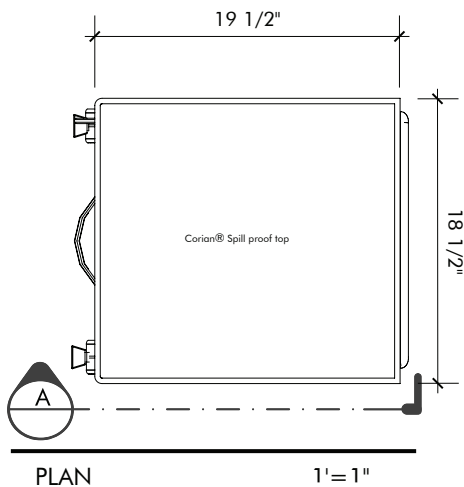
OPTIONAL UPGRADES

- _L Locking systems available
- _SS Side Storage (universal mount)

STANDARD CORIAN® COLOR OFFERINGS

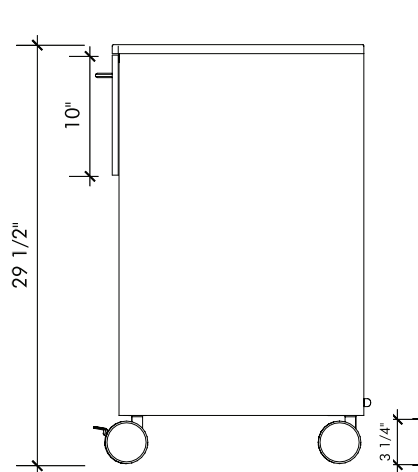
- _00 Glacier White
- _01 Cameo White
- _02 Bisque
- _03 Bone
- _04 Vanilla

Additional colors available, contact Futrus®



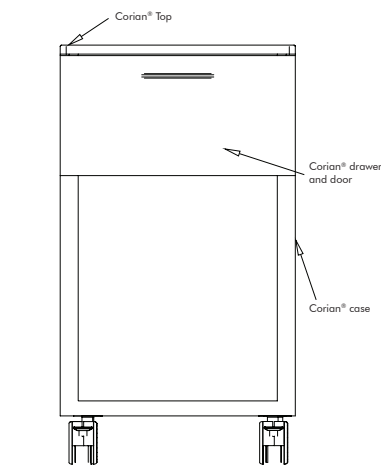
PLAN

1" = 1"



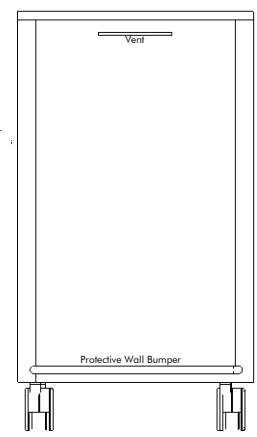
SECTION A

1" = 1"



FRONT

1" = 1"



REAR

1" = 1"

EXAMPLE MODEL SPECIFICATION

K	O	B	S	C	_	1	D	F	_	C	C	_	0	0	_	S	S
---	---	---	---	---	---	---	---	---	---	---	---	---	---	---	---	---	---

Model#

Corian®
Color

Optional
Upgrades

futrus.com
info@futrus.com
1.877.FUTRUS1 (388.7871)