

FUTRUS® WALL-MOUNT SINK

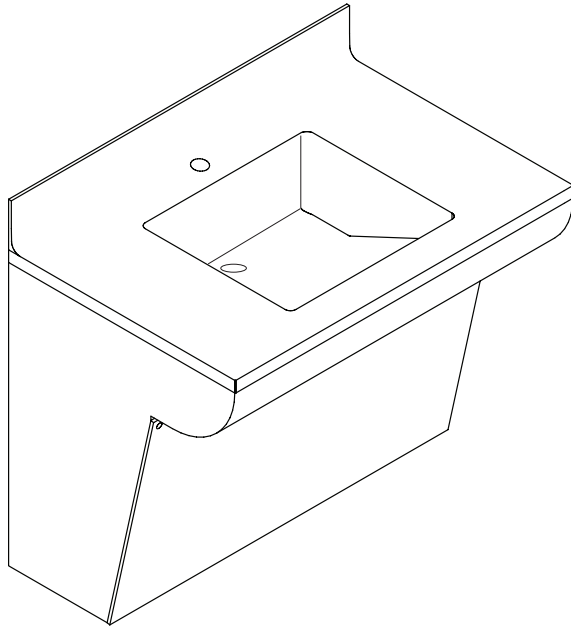
SPECIFICATION SHEET

MODEL FWS-3021R
ADA - Rounded Front

FUTRUS
SOLUTIONS WITH DUPONT™ CORIAN®



Corian.
SOLID SURFACE



STANDARD FEATURES

- Corian® solid surface construction
- Wall-mount
- Offset drain for infection control
- No overflow
- Corian® solid surface integral covered splash
- Access panel with security screws
- Rounded front edge
- Integral Corian® bowl
- 30" (762 mm) x 21" (533 mm) x 34" (864 mm)
- Sink included: F1513 - additional sinks available

Designed to meet current ANSI Standards (A112.192) handwash sinks

PRODUCT SPECIFICATION

The wall-mount vanity sink shall be made of Corian® solid surface.

Bathroom module shall be 30" (762 mm) in length, 21" (533 mm) in width, and 34" (864 mm) in height. Bathroom sink shall have 8" (203 mm) centers (-8), 4" (102 mm) centers (-4), or single hole (-1).

Bathroom sink shall have no overflow and an offset drain.

COLOR OFFERINGS

- _00 Glacier White
- _01 Cameo White
- _02 Bisque
- _03 Bone
- _04 Vanilla

Additional colors available, contact Futrus®

SPECIFIED MODEL

MODEL	DESCRIPTION
FWS_3021R_8	Vanity sink with 8" (203 mm) centers
FWS_3021R_4	Vanity sink with 4" (102 mm) centers
FWS_3021R_1	Vanity sink with single hole

MEETS THE AMERICANS WITH DISABILITIES ACT GUIDELINES AND ANSI A117.1 ACCESSIBLE AND USABLE BUILDINGS AND FACILITIES. ADJUST DIMENSIONS AS REQUIRED TO COMPLY WITH FEDERAL, STATE, AND LOCAL CODES COMPLIES WITH FEDERAL, STATE CODES. CHECK LOCAL CODES. Top of front rim mounted 864mm (34") from finished floor.

EXAMPLE MODEL SPECIFICATION

F	W	S	-	3	0	2	1	R	-	8	-	0	0
Model#										Center	Color		

futrus.com
info@futrus.com
1.877.FUTRUS1 (388.7871)

FUTRUS® WALL-MOUNT SINK

TECHNICAL INFORMATION - FWS_3021R



Corian.
SOLID SURFACE

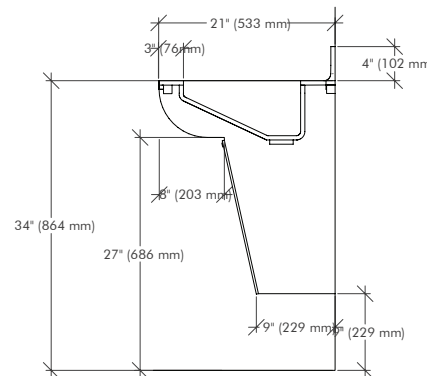
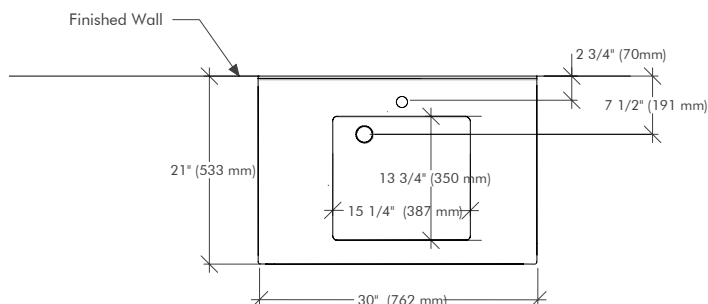
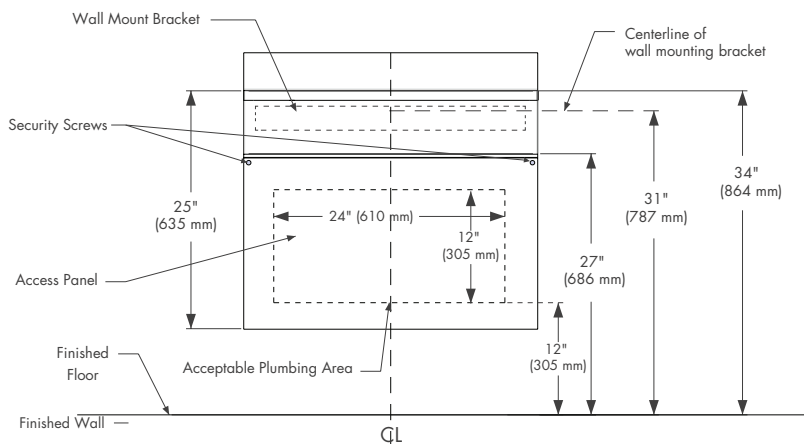
Basin Area	FWS_3021R	22" (559 mm) x 12" (305 mm)
Water Depth	6-1/2" (156 mm)*	
Drain Hole	1-3/4" (44 mm)	
Faucet Hole	1-3/8" (35 mm)	
	*approximate measurements for comparison use only.	

INCLUDED COMPONENTS

F1513 Vanity Sink:	8" (203 mm) centers	FWS_3020R_8
F1513 Vanity Sink:	4" (102 mm) centers	FWS_3020R_4
F1513 Vanity Sink:	Single hole	FWS_3020R_1
Shroud		FWS_3033R
Hanging Bracket	6028	

INSTALLATION NOTES

Install this product according to the installation guide. Will comply with ADA when installed per Section 606 Lavatories of the 2010 ADA Standards for Accessible Design. Will comply with CSA B651 when installed per Clause 4.3.3 of the standard. Will comply with OBC when installed per Clause 3.8.3.11



MEETS THE AMERICANS WITH DISABILITIES ACT GUIDELINES AND ANSI A117.1 ACCESSIBLE AND USABLE BUILDINGS AND FACILITIES. ADJUST DIMENSIONS AS REQUIRED TO COMPLY WITH FEDERAL, STATE, AND LOCAL CODES COMPLIES WITH FEDERAL, STATE CODES. CHECK LOCAL CODES. Top of front rim mounted 864mm (34") from finished floor.

futrus.com
info@futrus.com
1.877.FUTRUS1 (388.7871)