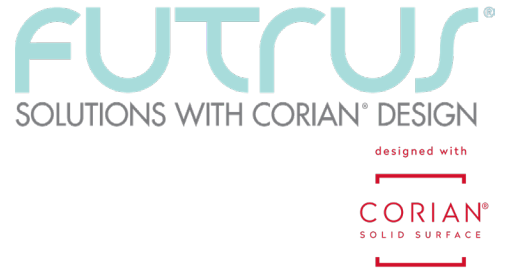


# FUTRUS® ANGLEX HYBRID SINK MODULE

## SPECIFICATION SHEET



### STANDARD FEATURES

- Sink and counter made with 100% Corian®
- Standard or offset drain location
- Optional overflow integration
- Corian® resists scratching, staining, chipping & impacts
- Corian® is seamless & nonporous
- Corian® is bleach cleanable
- ADA compliant
- Corian® is GREENGUARD certified to resist mold and bacteria growth

### MODULE DETAILS

- Overall Unit Size: 30" W x 21" D x 34" H
- Features the AngleX F1513 Anti-Splashback sink  
15-1/4" W x 13-3/4" D x 5-3/4" Deep
- 5-1/2" front apron
- Eased edges typical
- Square outside corner with 1/2" radius or 4" radius outside corner
- 4" coved Corian® backsplash
- Laminate or thermofoil base
- Matching plumbing access panel with security screws
- Available as fully enclosed for spaces requiring tamper resistance

### STANDARD CORIAN® COLORS

- \_00 Glacier White
- \_01 Cameo White
- \_02 Bisque
- \_03 Bone
- \_04 Vanilla
- \_11 Linen

### BASE COLORS

- \_LC Laminate Cherry
- \_LM Laminate Maple
- \_LW Laminate Walnut
- \_TC Thermofoil Cherry
- \_TM Thermofoil Maple
- \_TW Thermofoil Walnut

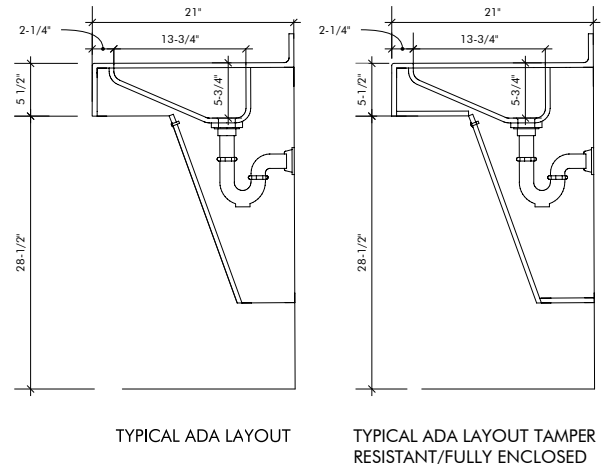
Additional colors available, contact Futrus®

### SPECIFICATION NO.

### DESCRIPTION

FHSM1513_AP_FR_[CORIAN COLOR]_[BASE COLOR]	Futrus AngleX Sink Module with laminate or thermofoil access panel; finished right end
FHSM1513_AP_FL_[CORIAN COLOR]_[BASE COLOR]	Futrus AngleX Sink Module with laminate or thermofoil access panel; finished left end
FHSM1513_AP_FBE_[CORIAN COLOR]_[BASE COLOR]	Futrus AngleX Sink Module with laminate or thermofoil access panel; finished both ends

\*Add \_ENC to end of specification for fully enclosed base ideal for behavioral health applications



futrus.com  
info@futrus.com  
1.877.FUTRUS1 (388.7871)