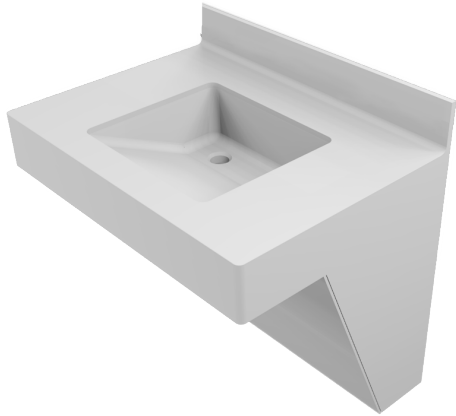


# FUTRUS® ANGLEX SINK MODULE

## SPECIFICATION SHEET



### STANDARD FEATURES

- Made with 100% Corian®
- Standard or offset drain location
- Optional overflow integration
- Resists scratching, staining, chipping & impacts
- Seamless & nonporous
- Bleach cleanable
- ADA compliant
- Corian® is GREENGUARD certified to resist mold and bacteria growth

### MODULE DETAILS

- Overall Unit Size: 30" W x 21" D x 34" H
- Features the AngleX F1513 sink  
15-1/4" W x 13-3/4" D x 5-3/4" Deep
- 5-1/2" front apron
- Eased edges typical
- Square outside corner with 1/2" radius or 4" radius outside corner
- 4" coved backsplash
- Corian® plumbing access panel with security screws
- Available as fully enclosed for spaces requiring tamper resistance

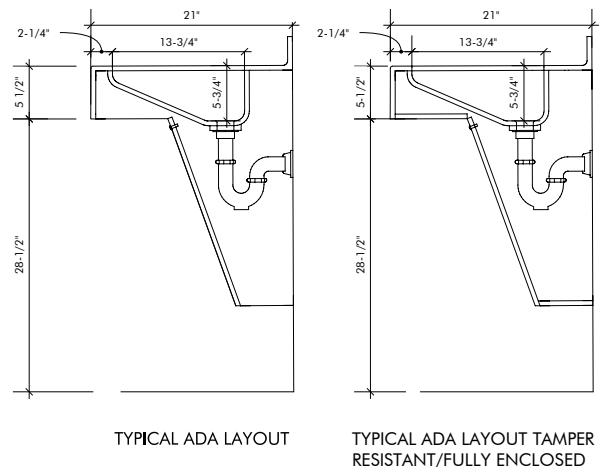
### STANDARD COLOR OFFERINGS

- \_00 Glacier White
- \_01 Cameo White
- \_02 Bisque
- \_03 Bone
- \_04 Vanilla
- \_11 Linen

Additional colors available, contact Futrus®

SPECIFICATION NO.	DESCRIPTION
FSM1513_AP_FR_[COLOR]	Futrus AngleX Sink Module with access panel; finished right end
FSM1513_AP_FL_[COLOR]	Futrus AngleX Sink Module with access panel; finished left end
FSM1513_AP_FBE_[COLOR]	Futrus AngleX Sink Module with access panel; finished both ends

\*Add \_ENC to end of specification for fully enclosed base ideal for behavioral health applications



futrus.com  
info@futrus.com  
1.877.FUTRUS1 (388.7871)