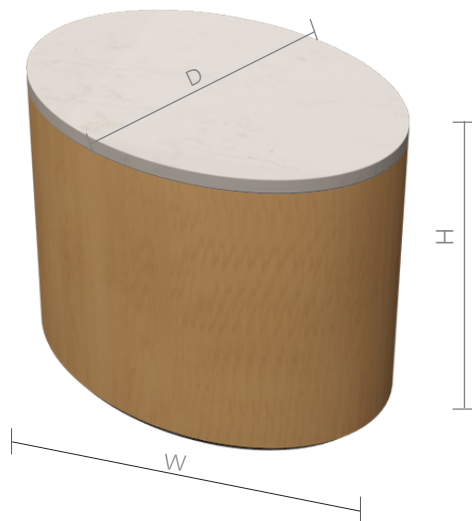


FUTRUS® OVEE QUARTZ HYBRID OCCASIONAL TABLES

FUTRUS
SOLUTIONS WITH CORIAN® DESIGN



SPECIFICATION SHEET



STANDARD FEATURES

- Corian® quartz table top
- Laminate or thermofoil sides
- Furniture glides
- 1/2" Plinth base in gray

STANDARD COLOR OFFERINGS

CORIAN® QUARTZ	LAMINATE or THERMOFOIL
London Sky	_LC Laminate Cherry
Snow White	_LM Laminate Maple
Stratus White	_LW Laminate Walnut
Coarse Carrara	_TC Thermofoil Cherry
Concrete Carrara	_TM Thermofoil Maple
Additional colors available, specify in quartz color	_TW Thermofoil Walnut

OPTIONAL UPGRADES

- Corian® in a semi-gloss finish
- Custom plinth 3" high [table height will remain 18"]
- Advanced technology integration, including power/data grommets [Byrne or ECA Electricals]
- Integration of Corian® Charging Surface

MODEL	DIMENSIONS		
FOVQH_18	18" W	13½" D	18" H
FOVQH_24	24" W	18" D	18" H

SPECIFYING OPTIONAL UPGRADES	
_SG	Semi-gloss finish
_3PBB	3" Plinth in Brushed Brass
_3PBG	3" Plinth in Brushed Gunmetal
_3PBS	3" Plinth in Brushed Stainless
_PG	Power/USB grommet
_CS	Charging Surface

EXAMPLE MODEL SPECIFICATION

FOVQH_18_CONCRETECARRARA_LW_PG

Model# Quartz Color Laminate Color Optional Upgrades

futrus.com
info@futrus.com
1.877.FUTRUS1 (388.7871)