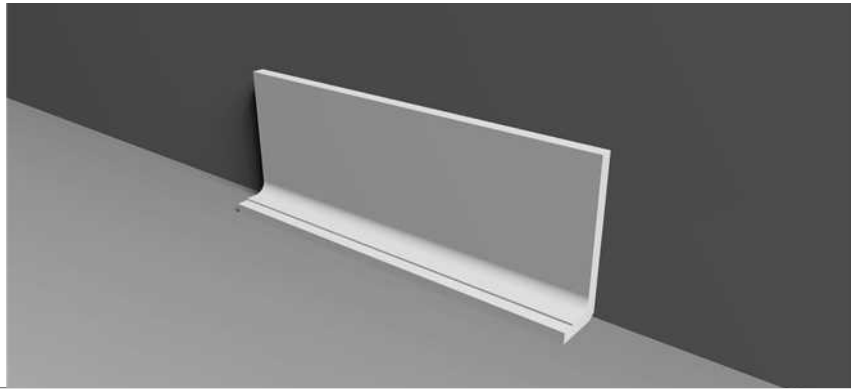
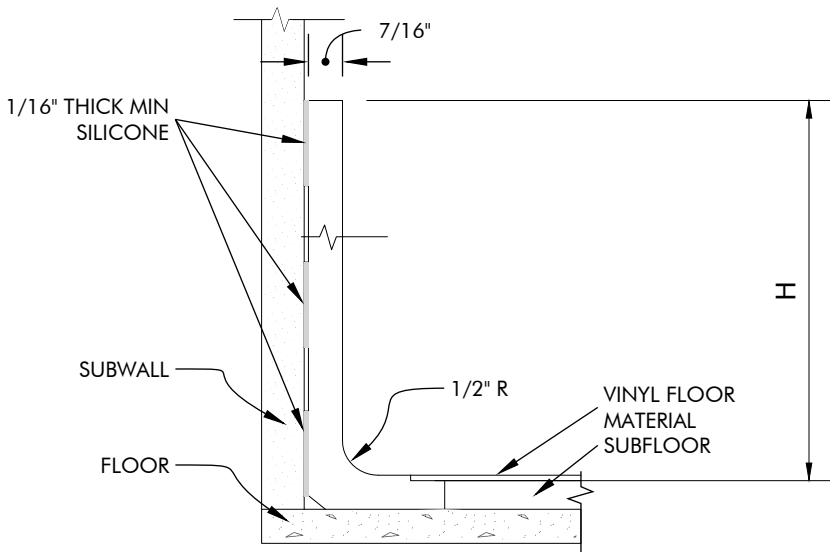


Futrus® Corian® Trim

Cove Base



MODEL FCTRMCB4/6



- Made of seamless Corian® Solid Surface
- Available in 4" and 6" height, custom heights available
- Manufactured in 1/4" and 7/16" thicknesses, custom thicknesses available
- Manufactured in 8' and 12' standard lengths, custom lengths available
- Available in select Corian® colors and patterns
- Corian® solid surface is nonporous and, when properly cleaned, does not support the growth of mold, mildew and bacteria.

Futrus® is a registered trademark of Futrus LLC. DuPont™ and Corian® are registered trademarks of DuPont and are used under license by Futrus LLC.

154 DISTL AVENUE
MANSFIELD, OHIO 44902
1.877.388.7871 FUTRUS.COM

FUTRUS[®]
SOLUTIONS WITH CORIAN® DESIGN

Futrus® Corian®

Corner Guards/Bumper Guards/Handrails/Trim

Suggested Specifications

SECTION 10 26 00

WALL AND DOOR PROTECTION

PART 1 - GENERAL

1.1 RELATED DOCUMENTS

A. Drawings and general provisions of the contract, including general and supplementary conditions and Division 1 Specification Sections, apply to this Section.

1.2 SUMMARY

A. This Section includes the following horizontal and trim solid surface product types:

1. Corner Guards.
2. Bumper Guards/Handrails
3. Trim.

B. Related Sections include the following:

1. Division 1 Section "LEED Requirements" for additional LEED requirements.
2. Division 6 Section "Rough Carpentry" for Blocking.
3. Division 6 Section "Solid Surface Fabrications."
4. Division 10 Section "Wall Protection."
5. Division 16 Section "Wiring Devices."

1.3 DEFINITION

A. Solid surface is defined as nonporous, homogeneous material maintaining the same composition throughout the part with a composition of acrylic polymer, aluminum trihydrate filler and pigment.

1.4 SUBMITTALS

A. Product data:

1. For each type of product indicated.
2. Product data for the following:
 - a. Chemical-resistant wall cladding:

B. Shop drawings:

1. Show location of each item, dimensioned plans and elevations, largescale details, attachment devices and other components.
 - a. Show full-size details, edge details, thermoforming requirements, attachments, etc.
 - b. Show locations and sizes of cutouts and holes for fixtures or other items installed in solid surface.

C. Samples:

1. For each type of product indicated.
 - a. Submit minimum 6-inch sample in specified gloss.
 - b. Cut sample and seam together for representation of inconspicuous seam.

c. Indicate full range of color and pattern variation.

2. Approved samples will be retained as a standard for work.

D. Product data:

1. Indicate product description, fabrication information and compliance with specified performance requirements.

E. Product certificates:

1. For each type of product, signed by product manufacturer.

G. Fabricator/installer qualifications:

1. Provide copy of certification number.

H. Manufacturer certificates:

1. Signed by manufacturers certifying that they comply with requirements.

I. Maintenance data:

1. Submit manufacturer's care and maintenance data, including repair and cleaning instructions.

a. Maintenance kit for finishes shall be submitted.

2. Include in project closeout documents.

1.5 QUALITY ASSURANCE

A. Qualifications:

1. Shop that employs skilled workers who custom fabricate products similar to those required for this project, have extensive experience in thermoforming, and whose products have a record of successful in-service performance.

B. Fabricator/installer qualifications:

1. Work of this section shall be by a certified fabricator/installer, certified in writing by the manufacturer.

C. Applicable standards:

1. Standards of the following, as referenced herein:

a. American National Standards Institute (ANSI)

b. American Society for Testing and Materials (ASTM)

c. National Electrical Manufacturers Association (NEMA)

2. Fire test response characteristics:

- a. Provide with the following Class A (Class I) surface burning characteristics as determined by testing identical products per UL 723 (ASTM E84) or another testing and inspecting agency acceptable to authorities having jurisdiction:

1) Flame Spread Index: 25 or less.

2) Smoke Developed Index: 450 or less.

D. Coordination drawings:

1. Shall be prepared indicating:

a. Electrical work.

b. Miscellaneous steel for the general work.

c. Indicate location of all walls (rated and non-rated), blocking locations and recessed wall items, etc.

2. Content:

a. Project-specific information, drawn accurately to scale.

b. Do not base coordination drawings on reproductions of the contract documents or standard printed data.

c. Indicate dimensions shown on the contract drawings and make specific note of dimensions that appear to be in conflict with submitted equipment and minimum clearance requirements.

d. Provide alternate sketches to designer for resolution of such conflicts.

1) Minor dimension changes and difficult installations will not be considered changes to the contract.

3. Drawings shall:

a. Be produced in 1/2-inch scale for all fabricated items.

4. Drawings must be complete and submitted to the architect within 60 days after award of contract for record only.

a. No review or approval will be forthcoming.

b. Coordination drawings are required for the benefit of contractor's fabricators/installers as an aid to coordination of their work so as to eliminate or reduce conflicts that may arise during the installation of their work.

1.6 DELIVERY, STORAGE AND HANDLING

A. Deliver no components to project site until areas are ready for installation.

B. Store components indoors prior to installation.

C. Handle materials to prevent damage to finished surfaces.

1. Provide protective coverings to prevent physical damage or staining following installation for duration of project.

1.7 WARRANTY

A. Provide manufacturer's warranty against defects in materials.

1. Warranty shall provide material and labor to repair or replace defective materials.

2. Damage caused by physical or chemical abuse or damage from excessive heat will not be warranted.

1.8 MAINTENANCE

A. Provide maintenance requirements as specified by the manufacturer.

PART 2 - PRODUCTS

2.1 MANUFACTURERS

A. Manufacturers:

1. Subject to compliance with requirements, provide products by one of the following:

a. Futrus Solutions with DuPont™ Corian® solid surfaces (basis of design).

2.2 MATERIALS

A. Solid polymer components

1. Cast, nonporous, filled polymer, not coated, laminated or of composite construction with through body colors meeting ANSI Z124.3 or ANSI Z124.6, having minimum physical and performance properties specified.

2. Superficial damage to a depth of 0.010 inch (25 mm) shall be repairable by sanding and/or polishing.

B. Solid surface material thickness:

1. 1/4 inch

2. 1/2 inch

2.3 ACCESSORIES

A. Joint adhesive:

1. Manufacturer's standard one- or two-part adhesive kit to create inconspicuous, nonporous joints.

B. Sealant:

1. Manufacturer's standard mildew-resistant, FDA-compliant, NSF 51-compliant (food zone - any type), UL-listed silicone sealant in colors matching components.

2.4 FACTORY FABRICATION

A. Shop assembly

1. Fabricate components to greatest extent practical to sizes and shapes indicated, in accordance with approved shop drawings and manufacturer's printed instructions and technical bulletins.

2. Form joints between components using manufacturer's standard joint adhesive without conspicuous joints.

3. Rout and finish component edges with clean, sharp returns.

a. Rout cutouts, radii and contours to template.

b. Smooth edges.

c. Repair or reject defective and inaccurate work.

B. Thermoforming:

1. Comply with manufacturer's data.

2. Heat entire component.

a. Material shall be uniform, between 275 and 325 degrees Fahrenheit during forming.

3. Form pieces to shape prior to seaming and joining.

4. Cut pieces to finished dimensions.

5. Sand edges and remove nicks and scratches.

2.5 FINISHES

A. Select from the manufacturer's standard color chart.

1. Color: _____

B. Finish: _____

1. Provide surfaces with a uniform finish.

a. Matte, gloss range of 5-20.

PART 3 - EXECUTION

3.1 EXAMINATION

A. Examine substrates and conditions, with fabricator present for compliance with requirements for installation tolerances, and other conditions affecting performance of work.

B. Proceed with installation only after unsatisfactory conditions have been corrected.

3.2 INSTALLATION

A. Install components plumb, level and rigid, scribed to adjacent finishes, in accordance with approved shop drawings and product data.

1. Provide product in the largest pieces available.

2. Form field joints using manufacturer's recommended adhesive, with joints inconspicuous in finished work.

a. Exposed joints/seams shall not be allowed.

3. Reinforce field joints with solid surface strips extending a minimum of 1 inch on either side of the seam with the strip being the same thickness as the surface.

4. Cut and finish component edges with clean, sharp returns.

5. Rout radii and contours to template.

6. Carefully dress joints smooth, remove surface scratches and clean entire surface.

3.3 REPAIR

A. Repair or replace damaged work, which cannot be repaired to architect's satisfaction.

3.4 CLEANING AND PROTECTION

A. Keep components clean during installation.

B. Remove adhesives, sealants and other stains.

WRITING

3.5 SCHEDULE

A. Corner Guards:

1. Surfaces of material adhesively joined with inconspicuous seams.

Color _____

a. Vertical Thickness _____

b. Edge Details _____

c. Finish _____

B. Bumper Guards/Handrails:

1. Surfaces of material adhesively joined with inconspicuous seams.

Color _____

a. Horizontal Thickness _____

b. Profile Details _____

c. Finish _____

C. Trim: _____

1. Surfaces of material adhesively joined with inconspicuous seams.

Color _____

a. Vertical Thickness _____

b. Edge Details _____

c. Finish _____