

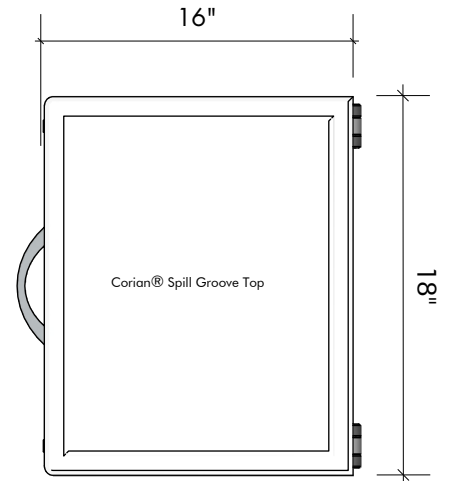
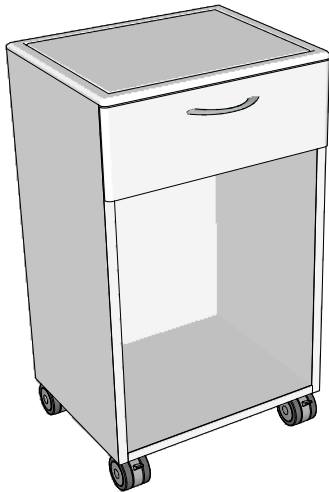
FUTRUS® BUDDI BEDSIDE CABINET

FUTRUS®
SOLUTIONS WITH CORIAN® DESIGN

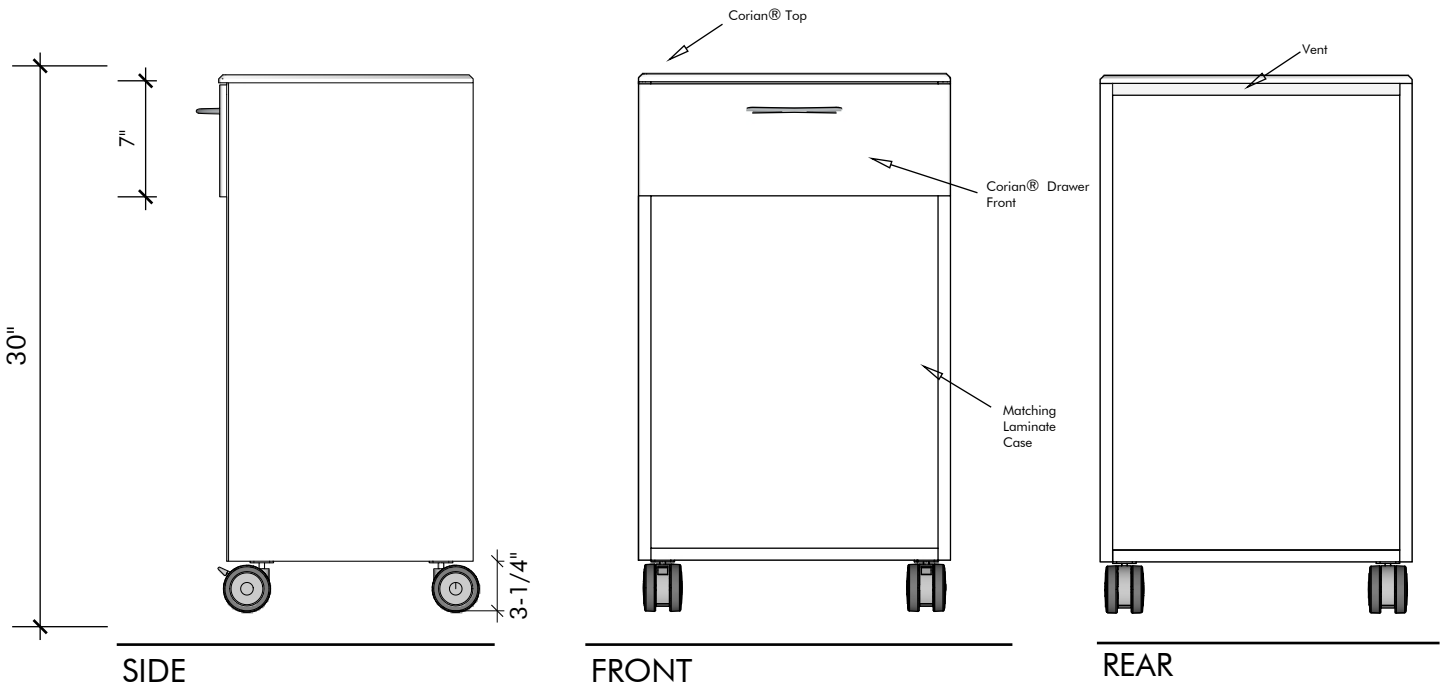
designed with
CORIAN®
SOLID SURFACE

Specification Sheet

MODEL KOHCBBSC_1DF_CC_SS



PLAN



futrus.com
info@futrus.com
1.877.388.FUTRUS1 [388.7871]

©Futrus LTD All Rights Reserved Copying or distribution of this design, in whole or in part, is strictly prohibited

Futrus® is a registered trademark of Futrus LLC. DuPont™ and Corian® are registered trademarks of DuPont and are used under license by Futrus LLC.