

FUTRUS® AQUADRI TROUGH SINK CORIAN® ANTI-SPLASHBACK TROUGH SINK

FUTRUS®
SOLUTIONS WITH CORIAN® DESIGN

designed with

CORIAN®
SOLID SURFACE

MODEL FADTRS

Specification Sheet

Division 22 Plumbing Manufacturers

FEATURES

- Made from 100% Corian®
- ADA compliant when installed according to guidelines
- Anti-splash back & self-draining basin
- Bleach cleanable Corian® surfaces
- Resists scratching, staining, chipping & impacts
- Corian® surfaces resist the growth of viruses, bacteria & mold
- Includes support brackets
- Easy installation & maintenance

STANDARD CORIAN® COLOR OPTIONS

Color*	Code	Description
	00	Glacier White
	01	Cameo White
	02	Bisque
	03	Bone
	04	Silver Gray
	05	Vanilla

Color tiles are for reference only*
[See full Corian® color choices](#)

OPTIONAL UPGRADES

Code	Description
FE	Finished Ends*
TCR	Trash cutout round
TCS	Trash cutout square
BB	Baby bowl

Standard is wall-to-wall*



- AquaDRI Trough Sink With Hand Dryers

CERTIFICATIONS

- Complies with the requirements in CSA B45.5/IAPMO Z124 standard for plastic plumbing fixtures and the requirements in the HUD Use of Materials Bulletin No. 73a.
- Futrus® Trough Sinks are listed by Home Innovation Research Labs and UL as meeting the requirements of the Uniform Plumbing Code, the International Plumbing Code and are listed by ULC as meeting the requirements of the National Plumbing Code of Canada.
- NSF/ANSI Standard 51 certified
- GREENGUARD certified to resist the growth of viruses, bacteria & mold
- GREENGUARD Gold low VOC emissions
- Contributes to LEED certification credits
- Class 1 (Class A) fire rated

FUTRUS® AQUADRI TROUGH SINK CORIAN® ANTI-SPLASHBACK TROUGH SINK

FUTRUS
SOLUTIONS WITH CORIAN® DESIGN

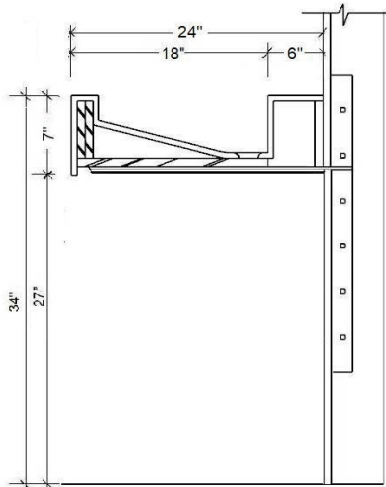
designed with

CORIAN®
SOLID SURFACE

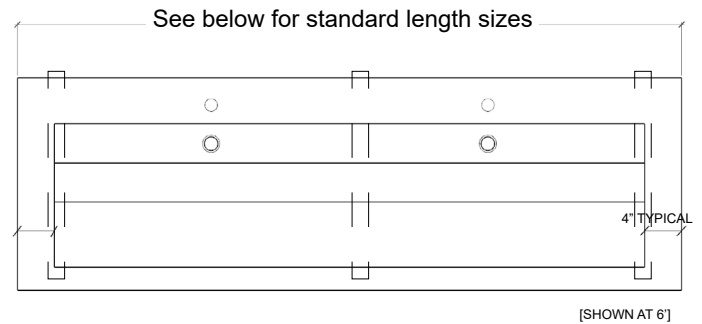
MODEL FADTRS

Specification Sheet

Division 22 Plumbing Manufacturers



Side Cross Section



Top View

STANDARD SIZES

Trough Sink Dimensions (Inches)

Code	Length	Depth	Apron	Station Qty
FADTRS_24_24_7	24"	24"	7"	1
FADTRS_36_24_7	36"	24"	7"	1
FADTRS_48_24_7	48"	24"	7"	1
FADTRS_60_24_7	60"	24"	7"	2
FADTRS_72_24_7	72"	24"	7"	2
FADTRS_84_24_7	84"	24"	7"	2
FADTRS_96_24_7	96"	24"	7"	2
FADTRS_108_24_7	108"	24"	7"	3
FADTRS_120_24_7	120"	24"	7"	3
FADTRS_132_24_7	132"	24"	7"	3
FADTRS_144_24_7	144"	24"	7"	4
CUSTOM				

Custom lengths & configurations available*

EXAMPLE MODEL SPECIFICATION

FADTRS_48_24_7_GLACIERWHITE_FE

(Model_Length_Depth_Apron Height_Corion Color_Optional Extra)

TECHNICAL INFORMATION

- All dimensions are nominal
- Futrus® 1-year limited warranty
- Corian® 10-year material warranty

RECOMMENDED SPECIFICATION- PLUMBING FIXTURES SECTION 22

The Futrus AquadRI Trough Sink, model FADTRS. Sink shall be made of 100% Corian® solid surface and feature a seamlessly integrated anti-splashback slope and self-draining basin. Sink shall be certified to meet Uniform Plumbing Code requirements in USA & Canada. Sink designed to be ADA compliant and supplied with mounting brackets. Division 22 Plumbing Manufacturers.

FUTRUS® AQUADRI TROUGH SINK CORIAN® ANTI-SPLASHBACK TROUGH SINK

FUTRUS®
SOLUTIONS WITH CORIAN® DESIGN

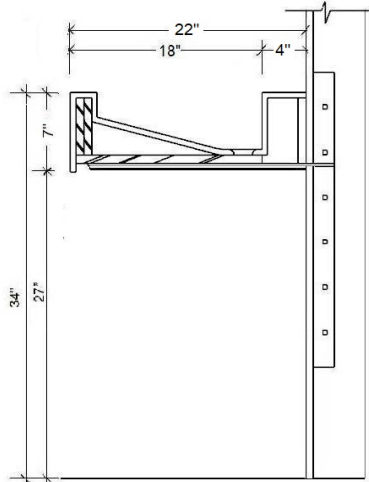
designed with



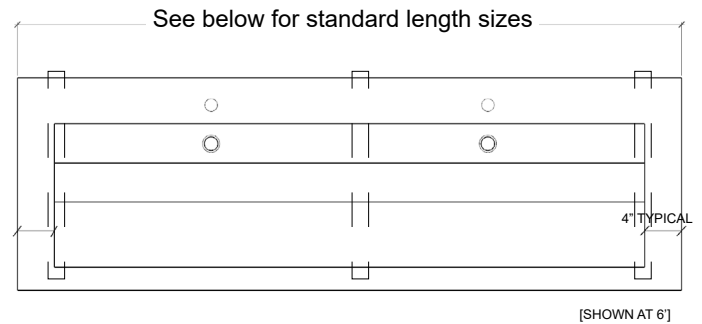
MODEL FADTRS

Specification Sheet

Division 22 Plumbing Manufacturers



Side Cross Section



Top View

STANDARD SIZES

Trough Sink Dimensions (Inches)

Code	Length	Depth	Apron	Station Qty
FADTRS_24_22_7	24"	22"	7"	1
FADTRS_36_22_7	36"	22"	7"	1
FADTRS_48_22_7	48"	22"	7"	1
FADTRS_60_22_7	60"	22"	7"	2
FADTRS_72_22_7	72"	22"	7"	2
FADTRS_84_22_7	84"	22"	7"	2
FADTRS_96_22_7	96"	22"	7"	2
FADTRS_108_22_7	108"	22"	7"	3
FADTRS_120_22_7	120"	22"	7"	3
FADTRS_132_22_7	132"	22"	7"	3
FADTRS_144_22_7	144"	22"	7"	4
CUSTOM				

Custom lengths & configurations available*

EXAMPLE MODEL SPECIFICATION

FADTRS_48_22_7_GLACIERWHITE_FE

(Model_Length_Depth_Apron Height_Corian Color_Optional Extra)

TECHNICAL INFORMATION

- All dimensions are nominal
- Futrus® 1-year limited warranty
- Corian® 10-year material warranty

RECOMMENDED SPECIFICATION- PLUMBING FIXTURES SECTION 22

The Futrus AquadRI Trough Sink, model FADTRS. Sink shall be made of 100% Corian® solid surface and feature a seamlessly integrated anti-splashback slope and self-draining basin. Sink shall be certified to meet Uniform Plumbing Code requirements in USA & Canada. Sink designed to be ADA compliant and supplied with mounting brackets. Division 22 Plumbing Manufacturers.