

FUTRUS® UNIVERSAL OVERBED TABLE

DESIGNED FOR SUPERIOR INFECTION CONTROL,
DURABILITY & PATIENT COMFORT

FUTRUS
SOLUTIONS WITH CORIAN® DESIGN

designed with

CORIAN
SOLID SURFACE

MODEL UFOTS

Specification Sheet

Division 12 Furnishings

FEATURES

- Patented Corian® tabletop design
- Bleach cleanable tabletop & underside (No substrate)
- Seamless & non-porous table surface
- Tabletop resists chipping, peeling, scratching & staining
- Spill proof table edges
- Cushioning wrist support
- Adjustable column
- Integrated equipment rail
- Easy clean steel U-base
- Dual lockable casters



STANDARD CORIAN® COLOR OPTIONS

Color*	Code	Description
	C00	White Frost (Closely matches Glacier White)
	C01	White Mocha (Closely matches Cameo White)
	C02	Almond (Closely matches Bone)
	C03	Crema (Closely matches Bisque)

Color tiles are for reference only*

OPTIONAL UPGRADES

Code	Description
SB	Storage Basket
VT	Vanity Tray with Mirror
UH	Urinal Hook

STANDARD BASE COLOR OPTIONS

Color*	Code	Description
	GR	Grey
	SD	Sand
	LN	Linen

Color tiles are for reference only*
Additional laminate colors available

CERTIFICATIONS

All Corian® materials are:

- GREENGUARD certified to resist the growth of viruses, bacteria & mold
- Class 1 (Class A) fire rated
- GREENGUARD Gold
- GREENGUARD Indoor Air Quality Certified
- Contributes to LEED certification credits
- NSF/ANSI Standard 51 Certified for food contact

FUTRUS® UNIVERSAL OVERBED TABLE

DESIGNED FOR SUPERIOR INFECTION CONTROL,
DURABILITY & PATIENT COMFORT

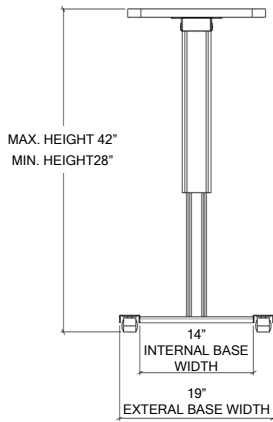
FUTRUS®
SOLUTIONS WITH CORIAN® DESIGN

designed with

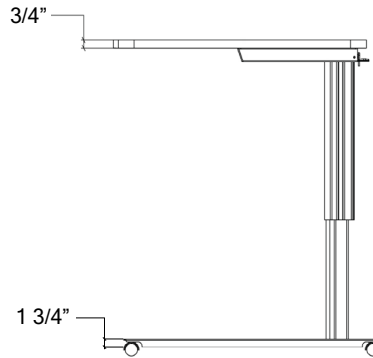
CORIAN®
SOLID SURFACE

MODEL UFOTS

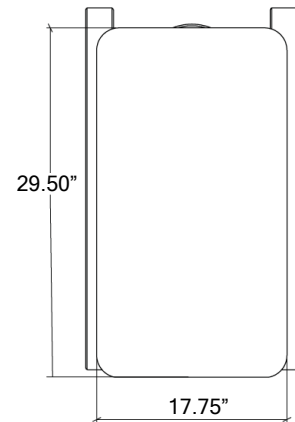
Specification Sheet
Division 12 Furnishings



Front View



Side View



Top View

STANDARD SIZES

Product Dimensions

Part	Width	Length	Depth
TABLETOP	17 3/4"	29 1/2"	3/4"
BASE	19"	31"	1 3/4"

TECHNICAL INFORMATION

- All dimensions are nominal
- Futrus® 1-year limited warranty
- Corian® 10-year material warranty

EXAMPLE MODEL SPECIFICATION

UFOTS_C00_GR_VT
(Model_Corian Color_Base Color_Optional Features)

RECOMMENDED SPECIFICATION- FURNISHINGS SECTION 12

The Futrus Universal Overbed Table, model UFOTS. Tabletop shall be made of 100% Corian® solid surface and feature an adjustable steel U-base. Table designed to work with most patient beds. Division 12 Furnishings.