

FUTRUS® KURVO SINK MODULE - DOUBLE CURVE RIGHT SINK

LIGATURE-RESISTANT SINK MODULE WITH PLUMBING ENCLOSURE MADE WITH CORIAN®

FUTRUS®
SOLUTIONS WITH CORIAN® DESIGN

designed with

CORIAN®
SOLID SURFACE

MODEL FKURVO_DR

Specification Sheet

Division 22 Plumbing Manufacturers

FEATURES

- Made from Corian®
- Ligature-resistant design
- ADA compliant
- Bleach cleanable
- Corian® resists scratching, staining, chipping & impacts
- Seamless & nonporous
- Tamperproof Corian® plumbing enclosure panel
- Easy installation & maintenance
- Corian® is GREENGUARD® certified to resist mold & bacteria growth
- Choice of colors & configurations

STANDARD CORIAN® COLOR OPTIONS

Color*	Code	Description
	00	Glacier White
	01	Cameo White
	02	Bisque
	03	Bone
	04	Silver Gray
	05	Vanilla

Color tiles are for reference only*
[See full Corian® color choices](#)

OPTIONAL UPGRADES

Code	Description
BS	Backsplash*
CS	Coved backsplash

Standard is no backsplash*



CERTIFICATIONS

All Corian® & Corian® Quartz materials are:

- GREENGUARD certified to resist the growth of viruses, bacteria & mold
- Class 1 (Class A) fire rated
- GREENGUARD Gold
- GREENGUARD Indoor Air Quality Certified
- Contributes to LEED certification credits

**FUTRUS® KURVO SINK MODULE - DOUBLE CURVE
RIGHT SINK**
LIGATURE-RESISTANT SINK MODULE WITH PLUMBING
ENCLOSURE MADE WITH CORIAN®



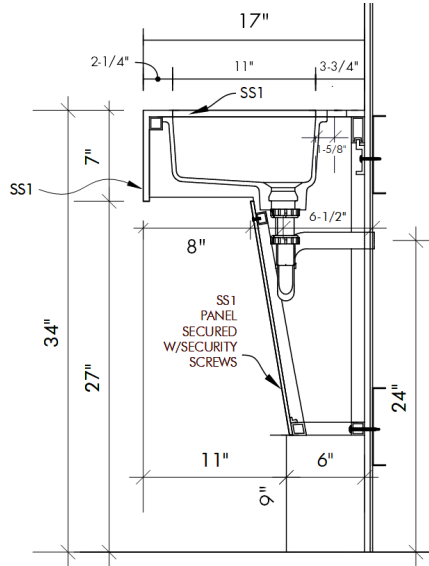
designed with



MODEL FKURVO_DR

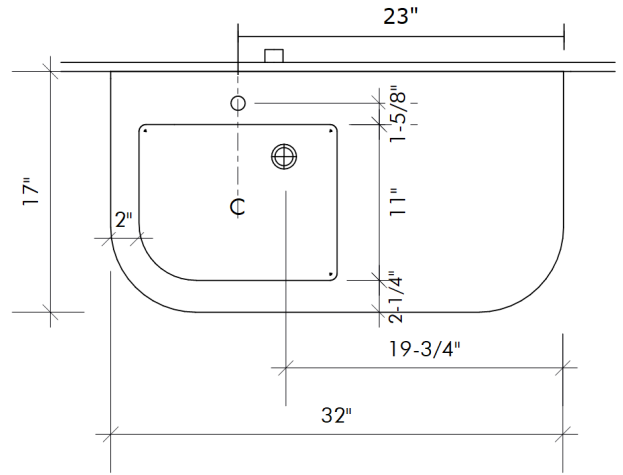
Specification Sheet

Division 22 Plumbing Manufacturers



Side Cross Section

Sink available on either side
See below for model number designation



Top View

STANDARD SIZES

Dimensions (Inches)

Code	Width	Depth	Apron
FKURVO_DR	32"	17"	7"
CUSTOM			

TECHNICAL INFORMATION

- All dimensions are nominal
- Futrus® 1-year limited warranty
- Corian® 10-year material warranty

EXAMPLE MODEL SPECIFICATION

FKURVO_DR_GLACIERWHITE_BS
(Model_Corian Color_Optional Extra)

RECOMMENDED SPECIFICATION-
PLUMBING FIXTURES SECTION 22

The Futrus Kurvo Sink Module- Double Curve Right Sink, model FKURVO_DR. Basin, countertop, backsplash and sidesplash fabricated from seamless Corian® and solid surface. Module designed to be ligature-resistant with a Corian® tamperproof plumbing enclosure. All framing components shall be made of moisture resistant stainless steel. Standard lavatory height at 34" to conform with ANSI, UFAS and ADA standards. Division 22 Plumbing Fixtures.