

# FUTRUS® INFINITI WALL BATTON

## CORIAN® BATTON FOR WALL JOINT CONCEALMENT

**FUTRUS**  
SOLUTIONS WITH CORIAN® DESIGN

designed with

**CORIAN**  
SOLID SURFACE

## MODEL FIBATTON

Specification Sheet

Division 22 Plumbing Manufacturers

### FEATURES

- Made with Corian®
- Bleach cleanable
- Seamless & nonporous
- GREENGUARD® certified to resist mold, virus & bacteria growth
- Low maintenance
- Impact & chip resistant
- Easy installation

### STANDARD CORIAN® COLOR OPTIONS

Color*	Code	Description
	GW	Glacier White <sup>•</sup>
	CW	Cameo White <sup>•</sup>
	BI	Bisque <sup>•</sup>
	GN	Bone <sup>•</sup>
	VY	Silver Gray
	NL	Vanilla <sup>•</sup>

Color tiles are for reference only\* See all color options on [futrus.com](http://futrus.com)



### CERTIFICATIONS

- Complies with the requirements in CSA B45.5/IAPMO Z124 standard for plastic plumbing fixtures and the requirements in the HUD Use of Materials Bulletin No. 73a.
- NSF/ANSI Standard 51 certified
- GREENGUARD certified to resist the growth of viruses, bacteria & mold
- GREENGUARD Gold low VOC emissions
- Contributes to LEED certification credits
- Class 1 (Class A) fire rated

# FUTRUS® INFINITI WALL BATTON

## CORIAN® BATTON FOR WALL JOINT CONCEALMENT

**FUTRUS**  
SOLUTIONS WITH CORIAN® DESIGN

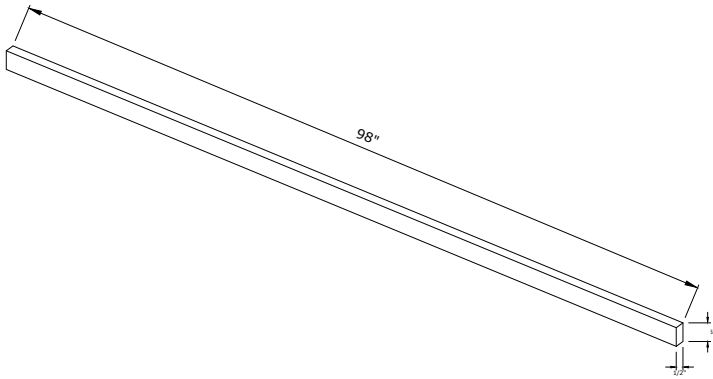
designed with



### MODEL FIBATTON

Specification Sheet

Division 22 Plumbing Manufacturers



ISO

#### STANDARD SIZES

##### Dimensions (Inches)

Code	Width	Depth	Height
FIBATTON	1"	.5"	98"
CUSTOM			

#### TECHNICAL INFORMATION

- All dimensions are nominal
- Futrus® 1-year limited warranty
- Corian® 10-year material warranty

#### EXAMPLE MODEL SPECIFICATION

FIBATTON\_GLACIERWHITE

(Model\_Corion Color)

#### RECOMMENDED SPECIFICATION- PLUMBING FIXTURES SECTION 22

The Futrus Infiniti Wall Batton, model FIBATTON. Batton shall be made of Corian® solid surface and feature 100% acrylic surfaces. Division 22 Plumbing Manufacturers. Must be UL certified to meet Uniform Plumbing Code and International Plumbing Code requirements in USA & Canada.