

FUTRUS® HALO BED BUMPER

HYGIENIC & IMPACT RESISTANT BARRIER OF PROTECTION FROM PATIENT BED IMPACTS

FUTRUS®
SOLUTIONS WITH CORIAN® DESIGN

designed with
CORIAN®
SOLID SURFACE

MODEL FHBEDBUMPER

Specification Sheet

FEATURES

- Made with Corian®
- Impact resistance
- Bleach cleanable, seamless & nonporous
- Resists scratching, staining & chipping
- GREENGUARD® Certified to resist mold, virus & bacteria growth
- Simple Installation
- Available in Corian® colors
- Standard & custom lengths



• Halo Bed Bumper

STANDARD CORIAN® COLOR OPTIONS

Color*	Code	Description
	GW	Glacier White
	CW	Cameo White
	BI	Bisque
	BN	Bone
	VY	Silver Gray
	NL	Vanilla

Color tiles are for reference only*
See full Corian® color choices at Futrus.com

CERTIFICATIONS

- NSF/ANSI Standard 51 certified
- GREENGUARD certified to resist the growth of viruses, bacteria & mold
- GREENGUARD Gold low VOC emissions
- Contributes to LEED certification credits
- Class 1 (Class A) fire rated

FUTRUS® HALO BED BUMPER

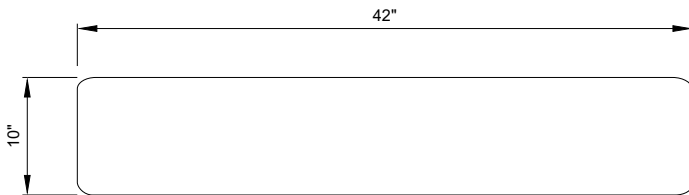
HYGIENIC & IMPACT RESISTANT BARRIER OF PROTECTION FROM PATIENT BED IMPACTS

FUTRUS®
SOLUTIONS WITH CORIAN® DESIGN

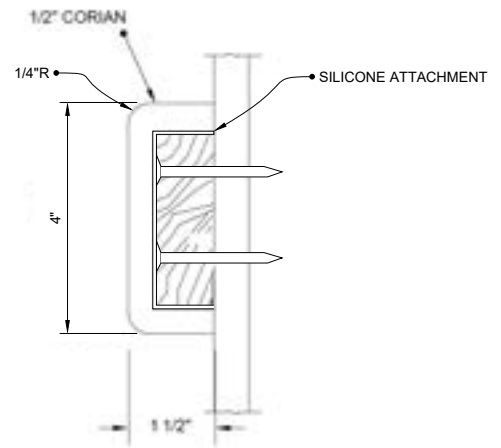
designed with
CORIAN®
SOLID SURFACE

MODEL FHBEDBUMPER

Specification Sheet



Elevation



Section

STANDARD SIZES

Dimensions (Inches)

Code	Width	Depth	Height
FHBEDBUMPER	42"	1-1/2"	10"
CUSTOM			

RECOMMENDED SPECIFICATION

The Futrus Bed Bumper, Model FHBEDBUMPER. Bed bumper to be made of 100% acrylic Corian® solid surface with no polyester blends. Bumper rail to be NSF/ANSI Standard 51 certified; GREENGUARD certified to resist the growth of viruses, bacteria & mold; GREENGUARD Gold low VOC emissions; Contribute to LEED certification credits; Class 1 (Class A) fire rated.

TECHNICAL INFORMATION

- All dimensions are nominal
- Futrus® 1-year limited warranty
- Corian® 10-year material warranty

EXAMPLE MODEL SPECIFICATION

FHBEDBUMPER_GLACIERWHITE
(Model_Corion Color)