

FUTRUS® AQUAGUARD TROUGH SINK CORIAN® ANTI-SPLASHBACK TROUGH SINK

FUTRUS®
SOLUTIONS WITH CORIAN® DESIGN

designed with

CORIAN®
SOLID SURFACE

MODEL FSTRS

Specification Sheet

Division 22 Plumbing Manufacturers

FEATURES

- Made from 100% Corian®
- ADA compliant when installed according to guidelines
- Anti-splash back & self-draining basin
- Bleach cleanable Corian® surfaces
- Resists scratching, staining, chipping & impacts
- Corian® surfaces resist the growth of viruses, bacteria & mold
- Includes support brackets
- Easy installation & maintenance

STANDARD CORIAN® COLOR OPTIONS

Color*	Code	Description
	00	Glacier White
	01	Cameo White
	02	Bisque
	03	Bone
	04	Silver Gray
	05	Vanilla

Color tiles are for reference only*

[See full Corian® color choices](#)

OPTIONAL UPGRADES

Code	Description
FE	Finished Ends*
TCR	Trash cutout round
TCS	Trash cutout square
BB	Baby bowl

Standard is wall-to-wall*



CERTIFICATIONS

- Complies with the requirements in CSA B45.5/IAPMO Z124 standard for plastic plumbing fixtures and the requirements in the HUD Use of Materials Bulletin No. 73a.
- Futrus® Trough Sinks are listed by Home Innovation Research Labs and UL as meeting the requirements of the Uniform Plumbing Code, the International Plumbing Code and are listed by ULC as meeting the requirements of the National Plumbing Code of Canada.
- NSF/ANSI Standard 51 certified
- GREENGUARD certified to resist the growth of viruses, bacteria & mold
- GREENGUARD Gold low VOC emissions
- Contributes to LEED certification credits
- Class 1 (Class A) fire rated

FUTRUS® AQUAGUARD TROUGH SINK CORIAN® ANTI-SPLASHBACK TROUGH SINK

FUTRUS
SOLUTIONS WITH CORIAN® DESIGN

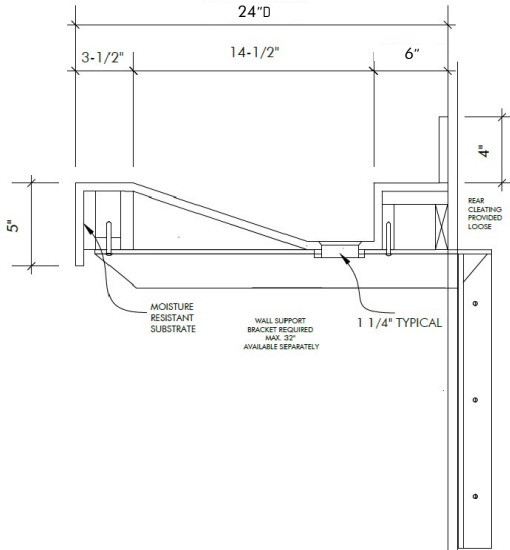
designed with

CORIAN®
SOLID SURFACE

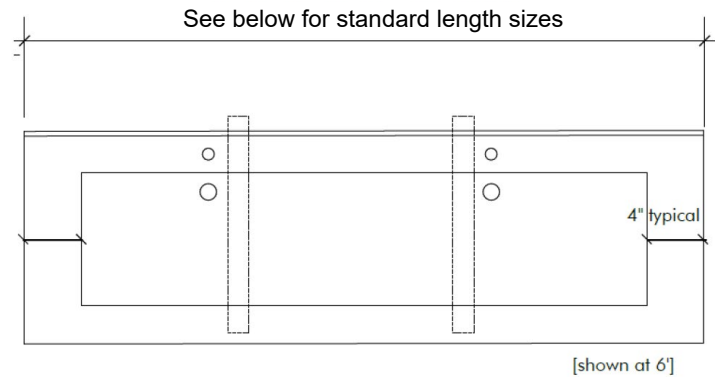
MODEL FSTRS

Specification Sheet

Division 22 Plumbing Manufacturers



Side Cross Section



Top View

STANDARD SIZES

Trough Sink Dimensions (Inches)

Code	Length	Depth	Apron	Station Qty*
FSTRS_24_24_5	24"	24"	5"	1
FSTRS_36_24_5	36"	24"	5"	1
FSTRS_48_24_5	48"	24"	5"	1
FSTRS_60_24_5	60"	24"	5"	2
FSTRS_72_24_5	72"	24"	5"	2
FSTRS_84_24_5	84"	24"	5"	2
FSTRS_96_24_5	96"	24"	5"	2
FSTRS_108_24_5	108"	24"	5"	3
FSTRS_120_24_5	120"	24"	5"	3
FSTRS_132_24_5	132"	24"	5"	3
FSTRS_144_24_5	144"	24"	5"	4
CUSTOM				

Custom lengths & configurations available*

EXAMPLE MODEL SPECIFICATION

FSTRS_48_24_5_GLACIERWHITE_BB

(Model_Length_Depth_Apron Height_Corian Color_Optional Extra)

TECHNICAL INFORMATION

- All dimensions are nominal
- Futrus® 1-year limited warranty
- Corian® 10-year material warranty

RECOMMENDED SPECIFICATION- PLUMBING FIXTURES SECTION 22

The Futrus Aquaguard Trough Sink, model FSTRS. Sink shall be made of 100% Corian® solid surface and feature a seamlessly integrated anti-splashback slope and self-draining basin. Sink designed to be ADA compliant and supplied with mounting brackets. Division 22 Plumbing Manufacturers. Must be Home Innovation Research Lab & UL certified to meet Uniform Plumbing Code and International Plumbing Code requirements in USA & Canada.

FUTRUS® AQUAGUARD TROUGH SINK CORIAN® ANTI-SPLASHBACK TROUGH SINK

FUTRUS
SOLUTIONS WITH CORIAN® DESIGN

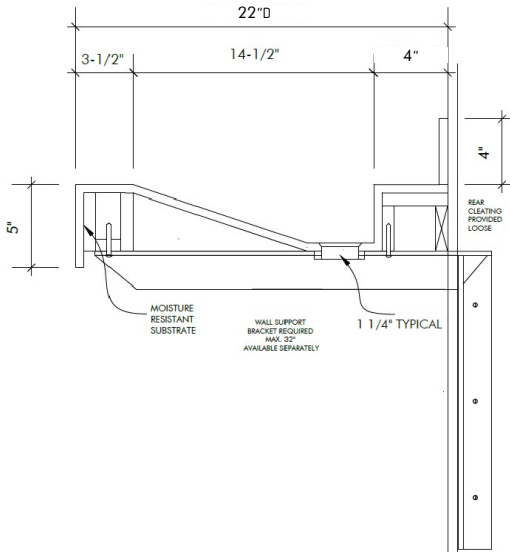
designed with



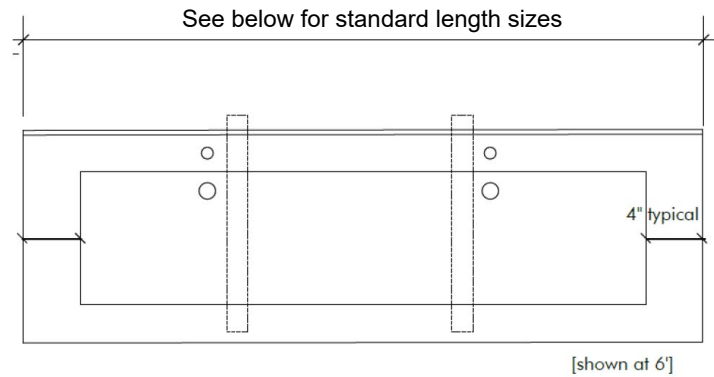
MODEL FSTRS

Specification Sheet

Division 22 Plumbing Manufacturers



Side Cross Section



Top View

STANDARD SIZES

Trough Sink Dimensions (Inches)

Code	Length	Depth	Apron	Station Qty*
FSTRS_24_22_5	24"	22"	6"	1
FSTRS_36_22_5	36"	22"	6"	1
FSTRS_48_22_5	48"	22"	6"	1
FSTRS_60_22_5	60"	22"	6"	2
FSTRS_72_22_5	72"	22"	6"	2
FSTRS_84_22_5	84"	22"	6"	2
FSTRS_96_22_5	96"	22"	6"	2
FSTRS_108_22_5	108"	22"	6"	3
FSTRS_120_22_5	120"	22"	6"	3
FSTRS_132_22_5	132"	22"	6"	3
FSTRS_144_22_5	144"	22"	6"	4
CUSTOM				

Custom lengths & configurations available*

EXAMPLE MODEL SPECIFICATION

FSTRS_48_22_5_GLACIERWHITE_BB

(Model_Length_Depth_Apron Height_Corian Color_Optional Extra)

TECHNICAL INFORMATION

- All dimensions are nominal
- Futrus® 1-year limited warranty
- Corian® 10-year material warranty

RECOMMENDED SPECIFICATION- PLUMBING FIXTURES SECTION 22

The Futrus Aquaguard Trough Sink, model FSTRS. Sink shall be made of 100% Corian® solid surface and feature a seamlessly integrated anti-splashback slope and self-draining basin. Sink designed to be ADA compliant and supplied with mounting brackets. Division 22 Plumbing Manufacturers. Must be Home Innovation Research Lab & UL certified to meet Uniform Plumbing Code and International Plumbing Code requirements in USA & Canada.