

FUTRUS® HYBRID OVEE TABLE

OVAL SHAPED OCCASIONAL TABLE WITH CORIAN® SOLID SURFACE TOP & LAMINATE OR THERMOFOIL COMPONENTS

FUTRUS®
SOLUTIONS WITH CORIAN® DESIGN

designed with



MODEL OVEE_H

Specification Sheet

Division 12 Furnishings




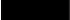
FEATURES

- All Corian® surfaces
- Bleach cleanable
- Seamless & nonporous
- Resists scratching, staining, chipping & impacts
- Impact resistant
- SpotGuard sanding finish
- Standard & adaptable sizes
- Technology integration
- Suitable for indoor & outdoor use
- Corian® is GREENGUARD® certified to resist mold & bacteria growth
- Available in all Corian® colors
- Available in a range of laminate & thermofoil colors

STANDARD CORIAN® COLOR OPTIONS

Color*	Code	Description
	GW	Glacier White
	CW	Cameo White
	BI	Bisque
	BN	Bone
	VY	Silver Gray
	NL	Vanilla

STANDARD LAMINATE COLOR OPTIONS

Color*	Code	Description
	LW / TW	Laminate Walnut / Thermofoil Walnut
	LC / TC	Laminate Cherry / Thermofoil Cherry
	LM / TM	Laminate Maple / Thermofoil Maple
	LA1 / T1	Laminate White / Thermofoil White
	LA2 / T2	Laminate Black / Thermofoil Black

Color tiles are for reference only*
See full Corian® color choices at Futrus.com



OPTIONAL UPGRADES

Code	Description
PG	Power/USB grommet
CS	Charging Surface
FA	Floor Anchor
WB	Weighted Base

CERTIFICATIONS

- GREENGUARD certified to resist the growth of viruses, bacteria & mold
- GREENGUARD Gold low VOC emissions
- Contributes to LEED certification credits
- Class 1 (Class A) fire rated

FUTRUS® HYBRID OVEE TABLE

OVAL SHAPED OCCASIONAL TABLE WITH CORIAN® SOLID SURFACE TOP & LAMINATE OR THERMOFOIL COMPONENTS

FUTRUS®
SOLUTIONS WITH CORIAN® DESIGN

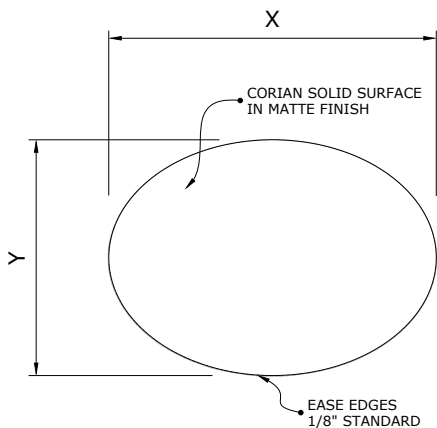
designed with

CORIAN®
SOLID SURFACE

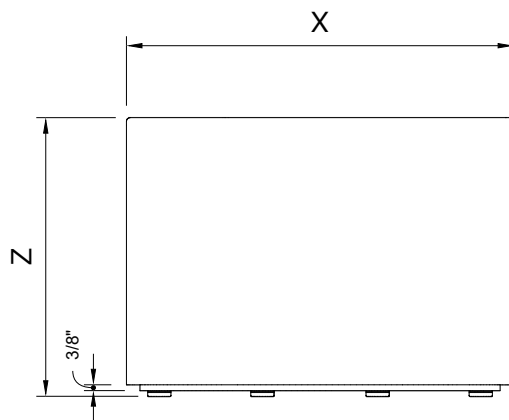
MODEL OVEE_H

Specification Sheet

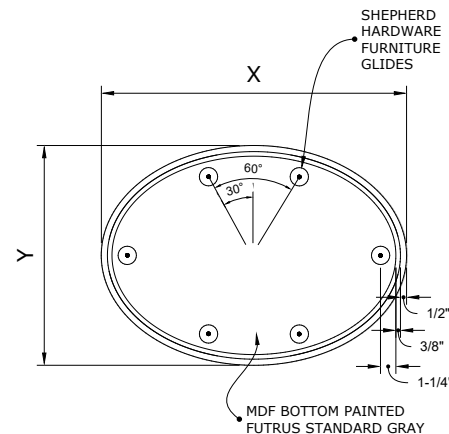
Division 12 Furnishings



Plan View



Front Elevation



Bottom View

STANDARD SIZES

Dimensions (Inches)

Code	Length (X)	Width (Y)	Height (Z)
FOVEE_H_1813.518	18"	13.5"	18"
FOVEE_H_241818	24"	18"	18"
CUSTOM			

RECOMMENDED SPECIFICATION

The Futrus Hybrid Ovee Table, Model FOVEE_H. Hybrid Ovee table to be made of Corian® solid surface and laminate or thermofoil components. Table to be NSF/ANSI Standard 51 certified; GREENGUARD certified to resist the growth of viruses, bacteria & mold; GREENGUARD Gold low VOC emissions; Contribute to LEED certification credits; Class 1 (Class A) fire rated.

TECHNICAL INFORMATION

- All dimensions are nominal
- Futrus® 5-year limited warranty
- Corian® 10-year material warranty

EXAMPLE MODEL SPECIFICATION

FOVEE_H_241818_CS_GW

(Model_Length|Width|Height_Optional Upgrade_Corian Color)