

# FUTRUS® AQUAGUARD TROUGH SINK MODULE CORIAN® ANTI-SPLASHBACK TROUGH SINK WITH PLUMBING ENCLOSURE INCLUDED

**FUTRUS**  
SOLUTIONS WITH CORIAN® DESIGN

designed with

**CORIAN**  
SOLID SURFACE

## MODEL FSTRSM

Specification Sheet

Division 22 Plumbing Manufacturers

### FEATURES

- Made from 100% Corian® solid surface
- ADA compliant when installed according to guidelines
- Anti-splash back & self-draining basin
- Bleach cleanable Corian® surfaces
- Tamperproof plumbing enclosure panel
- Resists scratching, staining, chipping & impacts
- Corian® surfaces resist the growth of viruses, bacteria & mold
- Includes support brackets
- Easy installation & maintenance

### STANDARD CORIAN® COLOR OPTIONS

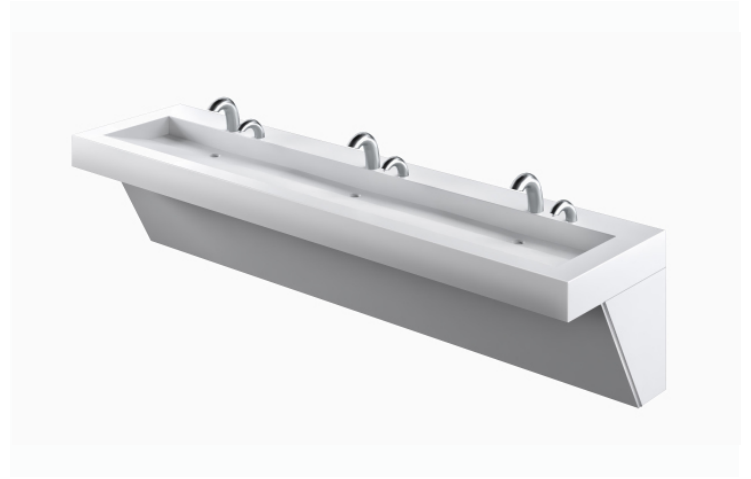
Color*	Code	Description
	GW	Glacier White
	CW	Cameo White
	BI	Bisque
	BN	Bone
	VY	Silver Gray
	NL	Vanilla

Color tiles are for reference only\*  
See full Corian® color choices on Futrus.com

### OPTIONAL UPGRADES

Code	Description
FE	Finished Ends*
TCR	Trash cutout round
TCS	Trash cutout square
BB	Baby bowl
BS	Backsplash Shelf [for wall mounted faucets]

Standard is wall-to-wall\*



### CERTIFICATIONS

- Complies with the requirements in CSA B45.5/IAPMO Z124 standard for plastic plumbing fixtures and the requirements in the HUD Use of Materials Bulletin No. 73a.
- Futrus® Trough Sinks are listed by Home Innovation Research Labs and UL as meeting the requirements of the Uniform Plumbing Code, the International Plumbing Code and are listed by ULC as meeting the requirements of the National Plumbing Code of Canada.
- NSF/ANSI Standard 51 certified
- GREENGUARD certified to resist the growth of viruses, bacteria & mold
- GREENGUARD Gold low VOC emissions
- Contributes to LEED certification credits
- Class 1 (Class A) fire rated

# FUTRUS® AQUAGUARD TROUGH SINK MODULE CORIAN® ANTI-SPLASHBACK TROUGH SINK WITH PLUMBING ENCLOSURE INCLUDED

**FUTRUS**  
SOLUTIONS WITH CORIAN® DESIGN

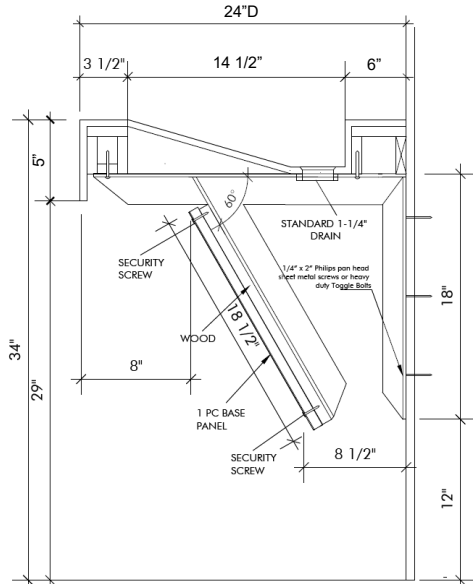
designed with

**CORIAN**  
SOLID SURFACE

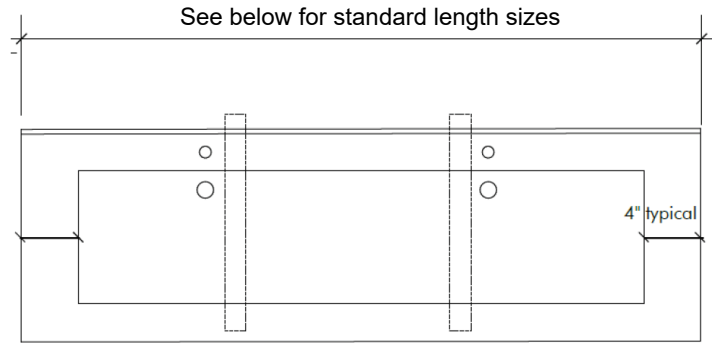
## MODEL FSTRSM

### Specification Sheet

### Division 22 Plumbing Manufacturers



Side Cross Section



Top View

## STANDARD SIZES

### Trough Sink Dimensions (Inches)

Code	Length	Depth	Apron	Station Qty*
FSTRSM_24_24_6	24"	24"	5"	1
FSTRSM_36_24_6	36"	24"	5"	1
FSTRSM_48_24_6	48"	24"	5"	1
FSTRSM_60_24_6	60"	24"	5"	1
FSTRSM_72_24_6	72"	24"	5"	2
FSTRSM_84_24_6	84"	24"	5"	2
FSTRSM_96_24_6	96"	24"	5"	3
FSTRSM_108_24_6	108"	24"	5"	3
FSTRSM_120_24_6	120"	24"	5"	3
FSTRSM_132_24_6	132"	24"	5"	3
FSTRSM_144_24_6	144"	24"	5"	4
CUSTOM SIZE				

Custom lengths & configurations available\*

## EXAMPLE MODEL SPECIFICATION

### FSTRSM\_48\_24\_6\_GW\_BB

(Model\_Length\_Depth\_Apron Height\_Corian Color\_Optional Extra)

## TECHNICAL INFORMATION

- All dimensions are nominal
- Futrus® 1-year limited warranty
- Corian® 10-year material warranty

## RECOMMENDED SPECIFICATION- PLUMBING FIXTURES SECTION 22

The Futrus Aquaguard Trough Sink Module, model FSTRSM. Sink and plumbing enclosure shall be made of 100% Corian® solid surface and feature a seamlessly integrated anti-splashback slope and self-draining basin. Sink designed to be ADA compliant and supplied with mounting brackets. Division 22 Plumbing Manufacturers. Must be Home Innovation Research Lab & UL certified to meet Uniform Plumbing Code and International Plumbing Code requirements in USA & Canada.

**FUTRUS® AQUAGUARD TROUGH SINK MODULE  
CORIAN® ANTI-SPLASHBACK TROUGH SINK WITH  
PLUMBING ENCLOSURE INCLUDED**



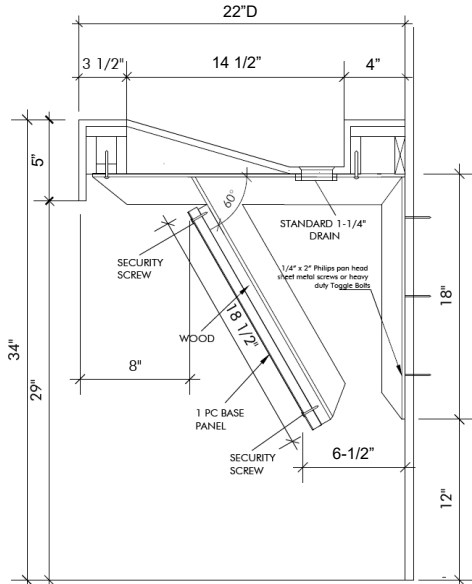
designed with



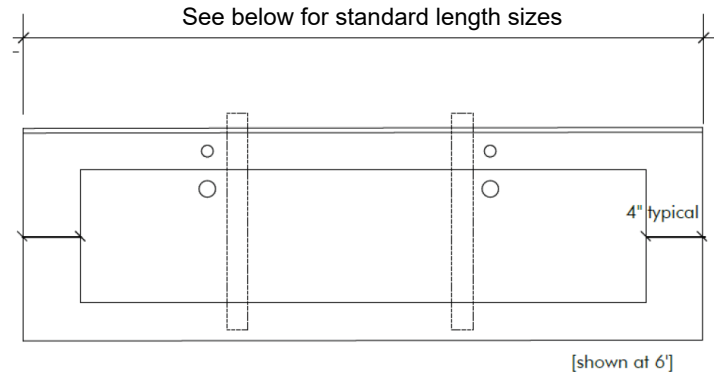
**MODEL FSTRSM**

Specification Sheet

Division 22 Plumbing Manufacturers



Side Cross Section



Top View

STANDARD SIZES

Trough Sink Dimensions (Inches)

Code	Length	Depth	Apron	Station Qty*
FSTRSM_24_22_5	24"	22"	6"	1
FSTRSM_36_22_5	36"	22"	6"	1
FSTRSM_48_22_5	48"	22"	6"	1
FSTRSM_60_22_5	60"	22"	6"	2
FSTRSM_72_22_5	72"	22"	6"	2
FSTRSM_84_22_5	84"	22"	6"	2
FSTRSM_96_22_5	96"	22"	6"	2
FSTRSM_108_22_5	108"	22"	6"	3
FSTRSM_120_22_5	120"	22"	6"	3
FSTRSM_132_22_5	132"	22"	6"	3
FSTRSM_144_22_5	144"	22"	6"	4
CUSTOM				

Custom lengths & configurations available\*

EXAMPLE MODEL SPECIFICATION

**FSTRSM\_48\_22\_5\_GW\_BB**

(Model\_Length\_Depth\_Apron Height\_Corian Color\_Optional Extra)

TECHNICAL INFORMATION

- All dimensions are nominal
- Futrus® 1-year limited warranty
- Corian® 10-year material warranty

RECOMMENDED SPECIFICATION-  
PLUMBING FIXTURES SECTION 22

The Futrus Aquaguard Trough Sink Module, model FSTRSM. Sink and plumbing enclosure shall be made of 100% Corian® solid surface and feature a seamlessly integrated anti-splashback slope and self-draining basin. Sink designed to be ADA compliant and supplied with mounting brackets. Division 22 Plumbing Manufacturers. Must be Home Innovation Research Lab & UL certified to meet Uniform Plumbing Code and International Plumbing Code requirements in USA & Canada.