

# FUTRUS® HALO BED BUMPER

HYGIENIC & IMPACT RESISTANT BARRIER OF PROTECTION FROM PATIENT BED IMPACTS. MADE FROM SOLID SURFACE

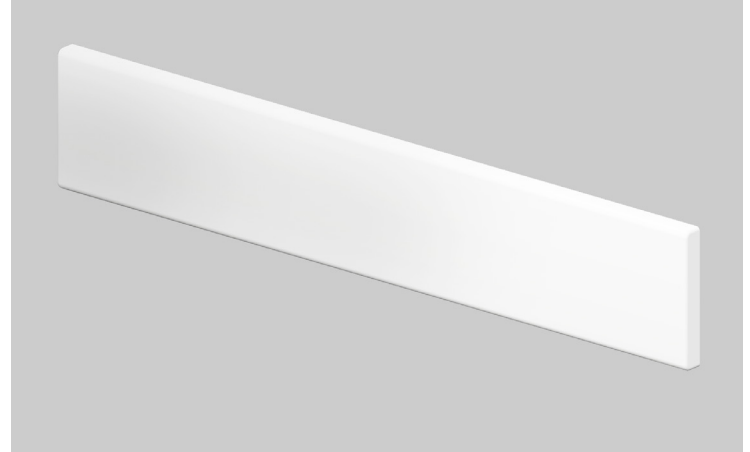
## MODEL FHBEDBUMPER

Specification Sheet

Division 10 Wall and Door Protection

### FEATURES

- Made with Corian® solid surface
- Impact resistance
- Bleach cleanable, seamless & nonporous
- Resists scratching, staining & chipping
- GREENGUARD® Certified to resist mold, virus & bacteria growth
- Simple Installation
- Available in Corian® colors
- Standard & custom lengths



• Halo Bed Bumper

### STANDARD CORIAN® COLOR OPTIONS

Color*	Code	Description
	GW	Glacier White
	CW	Cameo White
	BI	Bisque
	BN	Bone
	VY	Silver Gray
	NL	Vanilla

Color tiles are for reference only\*  
See full Corian® color choices at Futrus.com

### CERTIFICATIONS

- NSF/ANSI Standard 51 certified
- GREENGUARD certified to resist the growth of viruses, bacteria & mold
- GREENGUARD Gold low VOC emissions
- Contributes to LEED certification credits
- Class 1 (Class A) fire rated



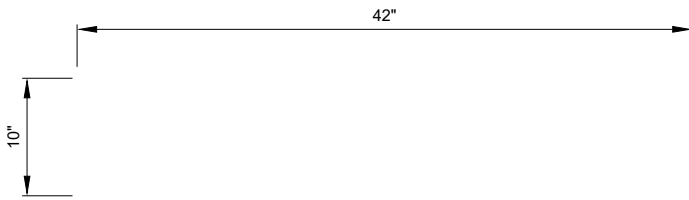
# FUTRUS® HALO BED BUMPER

HYGIENIC & IMPACT RESISTANT BARRIER OF PROTECTION FROM PATIENT BED IMPACTS. MADE FROM SOLID SURFACE

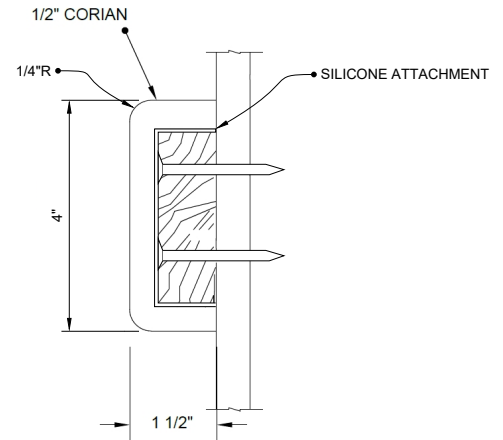
## MODEL FHBEDBUMPER

Specification Sheet

Division 10 Wall and Door Protection



Elevation



Section

### STANDARD SIZES

#### Dimensions (Inches)

Code	Width	Depth	Height
FHBEDBUMPER	42"	1-1/2"	10"
CUSTOM			

### RECOMMENDED SPECIFICATION

The Futrus Bed Bumper, Model FHBEDBUMPER. Bed bumper to be made of 100% acrylic solid surface with no polyester blends. Bumper rail to be NSF/ANSI Standard 51 certified; GREENGUARD certified to resist the growth of viruses, bacteria & mold; GREENGUARD Gold low VOC emissions; Contribute to LEED certification credits; Class 1 (Class A) fire rated.

### TECHNICAL INFORMATION

- All dimensions are nominal
- Futrus® 1-year limited warranty
- Corian® 10-year material warranty

### EXAMPLE MODEL SPECIFICATION

FHBEDBUMPER\_GLACIERWHITE  
(Model\_Corion Color)

