

FUTRUS® ELIPTA SINK
UNDERMOUNT ADA COMPLIANT OVAL SINK MADE WITH
100% ACRYLIC SOLID SURFACE

MODEL F1613

Specification Sheet
 Division 22 Plumbing Manufacturers

FEATURES

- Made with 100% acrylic solid surface
- Seamless & bleach cleanable
- Range of sizes & drain locations
- Resists mold, virus & bacteria growth
- Low maintenance
- Impact & chip resistant
- Optional overflow integration
- Repairable
- Easy installation
- No order minimums

STANDARD CORIAN® COLOR OPTIONS

Color*	Code	Description
	GW	Glacier White
	CW	Cameo White
	BI	Bisque
	BN	Bone
	VY	Silver Gray
	NL	Vanilla
	ALT	Alternate/Custom

Color tiles are for reference only*
 See full Corian® color options at futrus.com

CERTIFICATIONS

All Corian® materials are:

- GREENGUARD certified to resist the growth of viruses, bacteria & mold
- Class 1 (Class A) fire rated
- GREENGUARD Gold
- GREENGUARD Indoor Air Quality Certified
- NSF/ANSI Standard 51 certified
- Contributes to LEED certification credits



Offset Drain

OPTIONAL UPGRADES

Code	Description
CD	Center Drain*

Standard is offset drain*

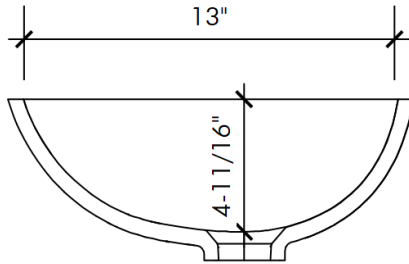


FUTRUS® ELIPTA SINK
UNDERMOUNT ADA COMPLIANT OVAL SINK MADE WITH
100% ACRYLIC SOLID SURFACE

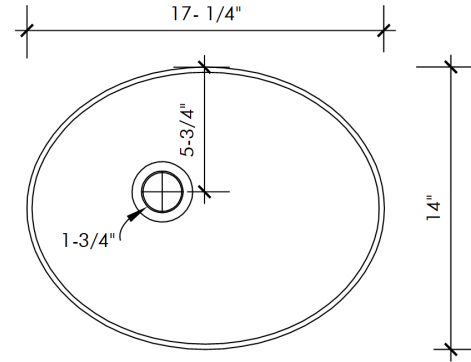
MODEL F1613OFFSET

Specification Sheet

Division 22 Plumbing Manufacturers



Side Cross Section



Top View

STANDARD SIZES

Inside Bowl Dimensions (Inches)

Code	Width	Length	Depth
F1613	16 1/8"	13 "	5 1/4"

TECHNICAL INFORMATION

- All dimensions are nominal
- Futrus® 1-year limited warranty
- Corian® 10-year material warranty

EXAMPLE MODEL SPECIFICATION

F1613OFFSET_GW
 (Model_Corian Color)

RECOMMENDED SPECIFICATION-
 PLUMBING FIXTURES SECTION 22

The Futrus Elipta Sink, model F1613. Sink fabricated from seamless 100% solid surface. Conforms with ANSI, UFAS and ADA standards when installed according to recommendations. Division 22 Plumbing Fixtures.



futrus.com
 info@futrus.com

1.877.388.FUTRUS1 [388.7871]