

FUTRUS® INOXI SINK MODULE- DOUBLE CURVED INTEGRATED STAINLESS STEEL KARRAN® SINK AND SOLID SURFACE COUNTER WITH PLUMBING ENCLOSURE INCLUDED

MODEL FINOXI_D

Specification Sheet

Division 22 Plumbing Manufacturers

FEATURES

- 18-gauge Karraan® sink
- Solid surface counter & plumbing enclosure
- Seamless & bleach cleanable
- Anti-ligature design
- Range of sizes
- Resists mold, virus & bacteria growth
- Low maintenance
- Stain, impact & chip resistant
- Optional overflow integration
- Repairable solid surfaces
- Easy installation
- Available in all solid surface colors
- No order minimums

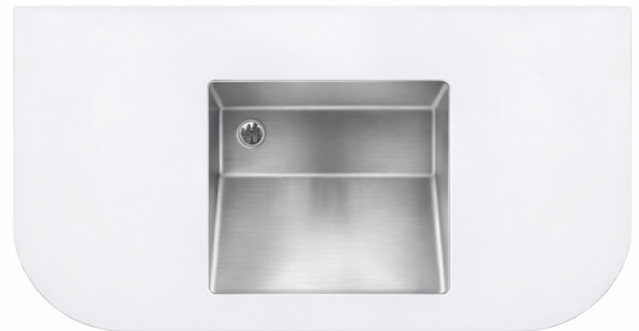


STANDARD CORIAN® COLOR OPTIONS

Color*	Code	Description
	GW	Glacier White
	CW	Cameo White
	BI	Bisque
	BN	Bone
	VY	Silver Gray
	NL	Vanilla
	ALT	Alternate/Custom

Color tiles are for reference only*

See full Corian® color options at futrus.com



OPTIONAL UPGRADES

Code	Description
BS	Backsplash*
CS	Coved backsplash
TR	Tamper resistant/fully enclosed

Standard is no backsplash*

CORIAN® SOLID SURFACE CERTIFICATIONS

All Corian® & Corian® Quartz materials are:

- GREENGUARD certified to resist the growth of viruses, bacteria & mold
- Class 1 (Class A) fire rated
- GREENGUARD Gold
- GREENGUARD Indoor Air Quality Certified
- Contributes to LEED certification credits

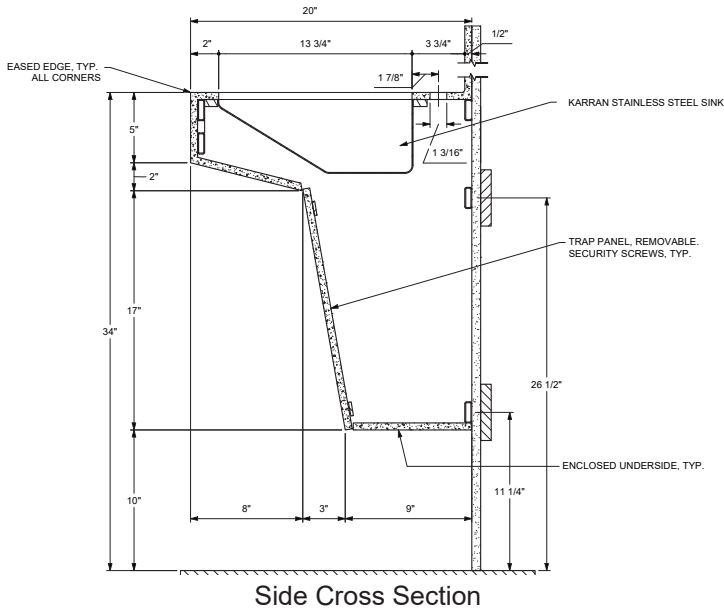


FUTRUS® INOXI SINK MODULE- DOUBLE CURVED INTEGRATED STAINLESS STEEL KARRAN® SINK AND SOLID SURFACE COUNTER WITH PLUMBING ENCLOSURE INCLUDED

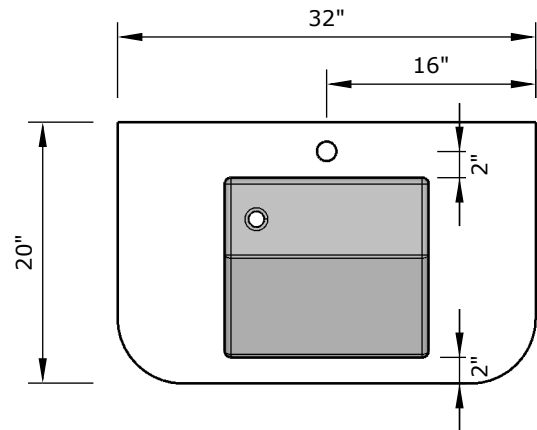
MODEL FINOXI_D

Specification Sheet

Division 22 Plumbing Manufacturers



Side Cross Section



Top View

STANDARD SIZES

Dimensions (Inches)

Code	Width	Depth	Apron	Sink Location
FINOXI_D	32"	20"	5"	RIGHT
CUSTOM				

TECHNICAL INFORMATION

- All dimensions are nominal
- Futrus® 2-year limited warranty
- Corian® 10-year material warranty

EXAMPLE MODEL SPECIFICATION

FINOXI_D_GW_BS
(Model_Corian_Color_Optional Extra)

RECOMMENDED SPECIFICATION- PLUMBING FIXTURES SECTION 22

The Futrus Inoxi Sink Module- Double Curved, model FINOXI_D. Basin to be 18-gauge stainless steel. Countertop, backsplash and sidesplash fabricated from seamless solid surface. Module designed to be ligature-resistant with a solid surface tamperproof plumbing enclosure. All framing components shall be made of moisture resistant stainless steel. Standard lavatory height at 34" to conform with ANSI, UFAS and ADA standards. Division 22 Plumbing Fixtures.

