

FUTRUS® ANGLE X SINK STATION MODULE

INTEGRATE ANTI-SPLASH BACK SINK AND COUNTER MADE WITH SOLID SURFACE WITH PLUMBING ENCLOSURE INCLUDED

MODEL FAXSMOD

Specification Sheet

Division 22 Plumbing Manufacturers

FEATURES

- 100% acrylic solid surface
- Seamless & nonporous surfaces
- ADA compliant
- Anti-splashback slope
- Range of sink sizes & drain locations
- Pre-drilled fixture locations
- Mounting brackets included
- Tamperproof plumbing enclosure included
- Optional overflow
- Adaptable lengths & configurations
- Available in all solid surface colors



STANDARD CORIAN® COLOR OPTIONS

| Color* | Code | Description |
|--|------|------------------|
|  | GW | Glacier White |
|  | CW | Cameo White |
|  | BI | Bisque |
|  | BN | Bone |
|  | VY | Silver Gray |
|  | ALT | Alternate/Custom |

Color tiles are for reference only*
See full Corian® color options at futrus.com

BASIN OPTIONS

| Model | Description |
|-------|-------------|
| F1513 | Angle X |
| F1814 | Angle XL |
| F1510 | Angle XS |
| F1709 | Angle XXS |

OPTIONAL UPGRADES

| Code | Description |
|------|---------------------------------|
| BS | Backsplash* |
| CS | Coved backsplash |
| TR | Tamper resistant/fully enclosed |
| CD | Center Drain |
| OD | Offset Drain |
| OF | Overflow |

Standard is no backsplash*

CORIAN® SOLID SURFACE CERTIFICATIONS

All Corian® & Corian® Quartz materials are:

- GREENGUARD certified to resist the growth of viruses, bacteria & mold
- Class 1 (Class A) fire rated
- GREENGUARD Gold
- GREENGUARD Indoor Air Quality Certified
- Contributes to LEED certification credits



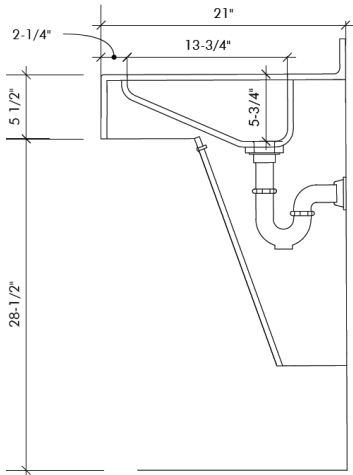
FUTRUS® ANGLE X SERIES SINK MODULE

ANTI-SPLASHBACK ADA SINK WITH INTEGRATED PLUMBING ENCLOSURE MADE WITH 100% ACRYLIC SOLID SURFACE

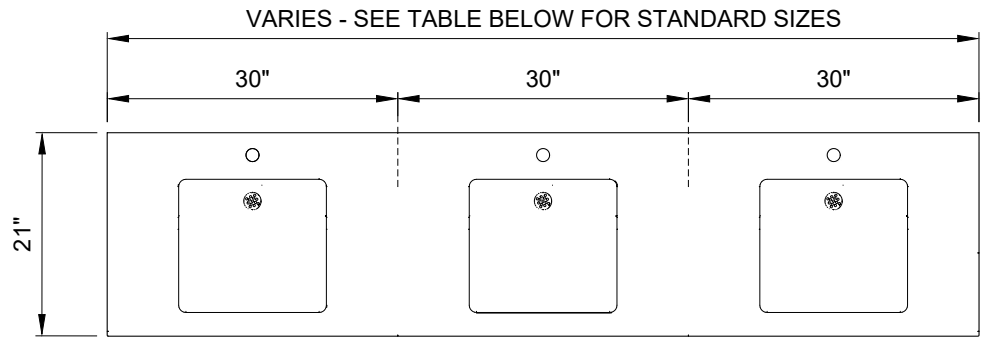
MODEL FAXMOD

Specification Sheet

Division 22 Plumbing Manufacturers



Typical Section



Top View

STANDARD SIZES

Dimensions (Inches)

| Code | Width (X) | Depth | Apron | Basins |
|-------------|-----------|-------|--------|--------|
| FAXSMOD_30 | 30" | 21" | 5-1/2" | 1 |
| FAXSMOD_60 | 60" | 21" | 5-1/2" | 2 |
| FAXSMOD_90 | 90" | 21" | 5-1/2" | 3 |
| FAXSMOD_120 | 120" | 21" | 5-1/2" | 4 |
| CUSTOM | | | | |

TECHNICAL INFORMATION

- All dimensions are nominal
- Futrus® 1-year limited warranty
- Corian® 10-year material warranty

RECOMMENDED SPECIFICATION- PLUMBING FIXTURES SECTION 22

The Futrus AngleX Sink Station Module, model FAXSMOD. Basin, countertop, backsplash and sidesplash fabricated from seamless Corian® solid surface. Module designed with a Corian® tamperproof plumbing enclosure. All framing components shall be made of moisture resistant stainless steel. Standard lavatory height at 34" to conform with ANSI, UFAS and ADA standards. Division 22 Plumbing Fixtures.

OPTIONAL UPGRADES

| Code | Description |
|------|----------------------|
| ODR | Offset Drain - Right |
| ODL | Offset Drain - Left |
| CD | Center Drain |

EXAMPLE MODEL SPECIFICATION

FAXSMOD_90_F1513-GW-ODL_3_GW_BS

(Model_Length_Basin-Basin Color-Drain Location_Number of Basins_Corian Color_Optional Extra)



futrus.com
info@futrus.com

1.877.388.FUTRUS1 [388.7871]