

FUTRUS® CUBICA QUARTZ SINK STATION MODULE INTEGRATE SQUARE SOLID SURFACE SINK AND ENGINEERED QUARTZ COUNTER WITH PLUMBING ENCLOSURE INCLUDED

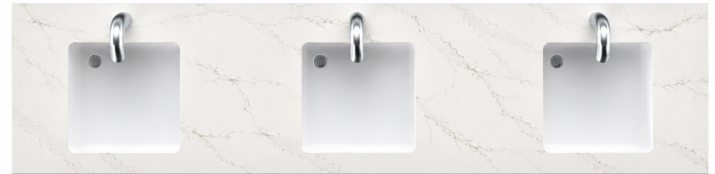
MODEL FQCSDMOD

Specification Sheet

Division 22 Plumbing Manufacturers

FEATURES

- 100% acrylic solid surface
- Seamless & nonporous surfaces
- ADA compliant
- Anti-splashback slope
- Range of sink sizes & drain locations
- Pre-drilled fixture locations
- Mounting brackets included
- Tamperproof plumbing enclosure included
- Optional overflow
- Adaptable lengths & configurations
- Available in all solid surface colors



STANDARD CORIAN® COLOR OPTIONS

Color*	Code	Description
	GW	Glacier White
	CW	Cameo White
	BI	Bisque
	BN	Bone
	VY	Silver Gray
	ALT	Alternate/Custom

Color tiles are for reference only*
See full Corian® color options at futrus.com

OPTIONAL UPGRADES

Code	Description
BS	Backsplash*
CS	Coved backsplash
TR	Tamper resistant/fully enclosed
CD	Center Drain
OD	Offset Drain
OF	Overflow

Standard is no backsplash*

POPULAR QUARTZ® COLOR OPTIONS

Color*	Code	Description	Price Group
	CWH	Cloud White	Group 1
	DGR	Dove Grey	Group 1
	SFL	Snow Flurry	Group 2
	SWH	Snow White	Group 2
	POR	Portoro	Group 3
	BIM	Bianco Marmor	Group 4
	ALT	Alternate Quartz	

*Color tiles are for reference only
See full standard quartz color options at futrus.com

CORIAN® SOLID SURFACE CERTIFICATIONS

All Corian® & Corian® Quartz materials are:

- GREENGUARD certified to resist the growth of viruses, bacteria & mold
- Class 1 (Class A) fire rated
- GREENGUARD Gold
- GREENGUARD Indoor Air Quality Certified
- Contributes to LEED certification credits

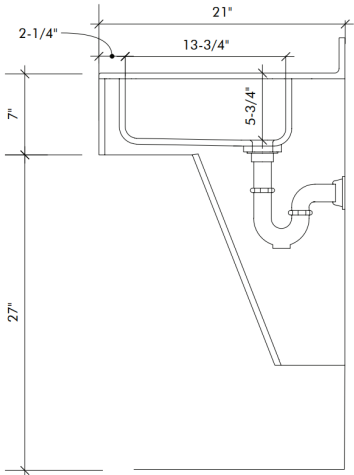


FUTRUS® CUBICA QUARTZ SINK STATION MODULE INTEGRATE SQUARE SOLID SURFACE SINK AND ENGINEERED QUARTZ COUNTER WITH PLUMBING ENCLOSURE INCLUDED

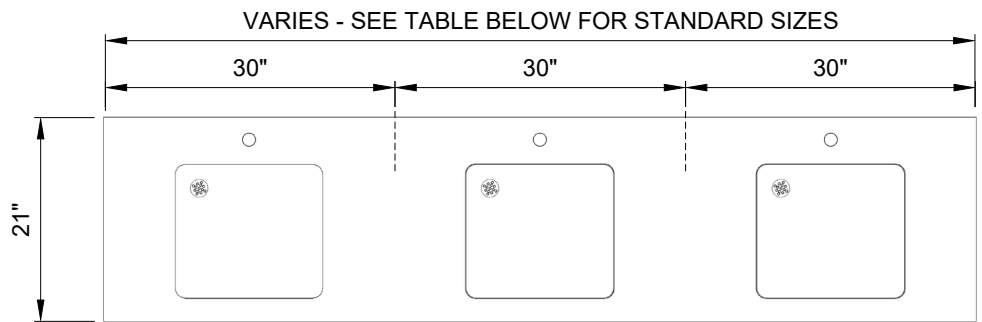
MODEL FQCSMOD

Specification Sheet

Division 22 Plumbing Manufacturers



Typical Section



Top View

STANDARD SIZES

Dimensions (Inches)

Code	Width (X)	Depth	Apron	Basins
FQCSMOD_30	30"	21"	5-1/2"	1
FQCSMOD_60	60"	21"	5-1/2"	2
FQCSMOD_90	90"	21"	5-1/2"	3
FQCSMOD_120	120"	21"	5-1/2"	4
CUSTOM				

TECHNICAL INFORMATION

- All dimensions are nominal
- Futrus® 1-year limited warranty
- Corian® 10-year material warranty

RECOMMENDED SPECIFICATION- PLUMBING FIXTURES SECTION 22

The Futrus Cubica Quartz Sink Station Module, model FQCSMOD. Basin fabricated from seamless Corian® solid surface. Countertop, backsplash and sidesplash fabricated from Corian® Quartz. Module designed with a Corian® Quartz tamperproof plumbing enclosure. All framing components shall be made of moisture resistant stainless steel. Standard lavatory height at 34" to conform with ANSI, UFAS and ADA standards. Division 22 Plumbing Fixtures.

OPTIONAL UPGRADES

Code	Description
ODR	Offset Drain - Right
ODL	Offset Drain - Left
CD	Center Drain

EXAMPLE MODEL SPECIFICATION

FQCSMOD_90_GW-ODL_3_SFL_BS

(Model_Length_Basin Color-Drain Location_ Number of Basins_ Quartz Color_Optional Extra)

