

# FUTRUS® ELIPTA SINK STATION MODULE

## INTEGRATE OVAL SINK AND COUNTER MADE WITH SOLID SURFACE WITH PLUMBING ENCLOSURE INCLUDED

### MODEL FESMOD

Specification Sheet


Division 22 Plumbing Manufacturers

#### FEATURES

- 100% acrylic solid surface
- Seamless & nonporous surfaces
- ADA compliant
- Range of drain locations
- Pre-drilled fixture locations
- Mounting brackets included
- Tamperproof plumbing enclosure included
- Optional overflow
- Adaptable lengths & configurations
- Available in all solid surface colors



#### STANDARD CORIAN® COLOR OPTIONS

Color*	Code	Description
	GW	Glacier White
	CW	Cameo White
	BI	Bisque
	BN	Bone
	VY	Silver Gray
	ALT	Alternate/Custom

Color tiles are for reference only\*  
See full Corian® color options at [futrus.com](http://futrus.com)

#### OPTIONAL UPGRADES

Code	Description
BS	Backsplash*
CS	Coved backsplash
TR	Tamper resistant/fully enclosed
CD	Center Drain
OD	Offset Drain
OF	Overflow

Standard is no backsplash\*

#### CORIAN® SOLID SURFACE CERTIFICATIONS

**All Corian® & Corian® Quartz materials are:**

- GREENGUARD certified to resist the growth of viruses, bacteria & mold
- Class 1 (Class A) fire rated
- GREENGUARD Gold
- GREENGUARD Indoor Air Quality Certified
- Contributes to LEED certification credits



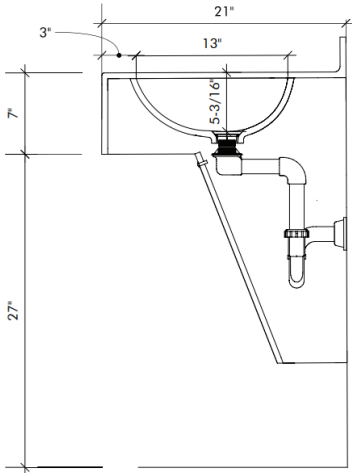
# FUTRUS® ELIPTA SINK STATION MODULE

INTEGRATE OVAL SINK AND COUNTER MADE WITH SOLID SURFACE WITH PLUMBING ENCLOSURE INCLUDED

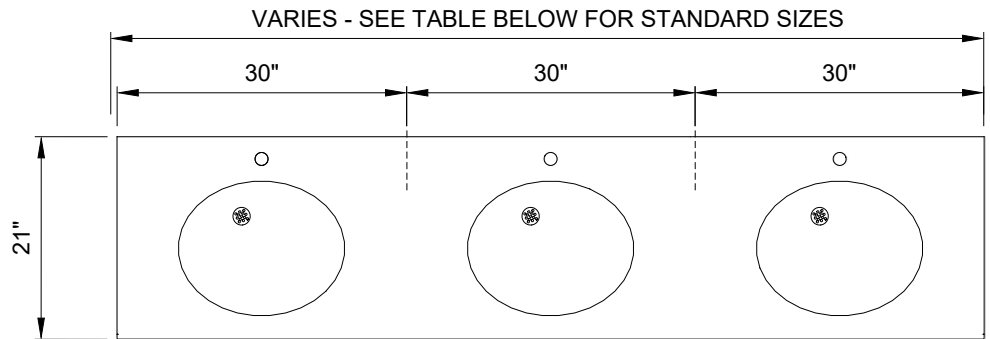
## MODEL FESMOD

Specification Sheet

Division 22 Plumbing Manufacturers



Typical Section



Top View

### STANDARD SIZES

#### Dimensions (Inches)

Code	Width (X)	Depth	Apron	Basins
FESMOD_30	30"	21"	5-1/2"	1
FESMOD_60	60"	21"	5-1/2"	2
FESMOD_90	90"	21"	5-1/2"	3
FESMOD_120	120"	21"	5-1/2"	4
CUSTOM				

### TECHNICAL INFORMATION

- All dimensions are nominal
- Futrus® 1-year limited warranty
- Corian® 10-year material warranty

### RECOMMENDED SPECIFICATION- PLUMBING FIXTURES SECTION 22

The Futrus Elipta Sink Station Module, model FESMOD. Basin, countertop, backsplash and sidesplash fabricated from seamless Corian® solid surface. Module designed with a Corian® tamperproof plumbing enclosure. All framing components shall be made of moisture resistant stainless steel. Standard lavatory height at 34" to conform with ANSI, UFAS and ADA standards. Division 22 Plumbing Fixtures.

### OPTIONAL UPGRADES

Code	Description
ODR	Offset Drain - Right
ODL	Offset Drain - Left
CD	Center Drain

### EXAMPLE MODEL SPECIFICATION

FESMOD\_90\_GW-ODL\_3\_GW\_BS

(Model\_Length\_Basin Color-Drain Location\_Number of Basins\_Corian Color\_Optional Extra)

