

# FUTRUS® INOXI QUARTZ SINK STATION MODULE INTEGRATED STAINLESS STEEL KARRAN® SINK AND QUARTZ COUNTER WITH PLUMBING ENCLOSURE INCLUDED

## MODEL FQISMOD

Specification Sheet

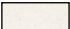

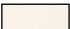

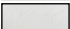
Division 22 Plumbing Manufacturers

### FEATURES

- 18-gauge stainless steel sink
- Engineered quartz counter
- Soft satin finish & radius corners for easy cleaning
- Seamless & nonporous surfaces
- ADA compliant
- Anti-splashback slope
- Range of sink shapes & sizes
- Pre-drilled fixture locations
- Customizable lengths
- Tamperproof plumbing panel included
- Mounting brackets included
- Available in all quartz colors



### POPULAR QUARTZ® COLOR OPTIONS

Color*	Code	Description	Price Group
	CWH	Cloud White	Group 1
	DGR	Dove Grey	Group 1
	SFL	Snow Flurry	Group 2
	SWH	Snow White	Group 2
	POR	Portoro	Group 3
	BIM	Bianco Marmor	Group 4
	ALT	Alternate Quartz	

\*Color tiles are for reference only

See full standard quartz color options at [futrus.com](http://futrus.com)

### OPTIONAL UPGRADES

Code	Description
BS	Backsplash*
CS	Coved backsplash
TR	Tamper resistant/fully enclosed

Standard is no backsplash\*

### BASIN OPTIONS

Model	Description
E-505*	Sloped front and shallow 5-1/2" depth
E-525	Rectangular basin with shallow 5-1/2" depth
E-309	Contoured basin with shallow 5-1/2" depth

Standard\*

### CORIAN® SOLID SURFACE CERTIFICATIONS

**All Corian® & Corian® Quartz materials are:**

- GREENGUARD certified to resist the growth of viruses, bacteria & mold
- Class 1 (Class A) fire rated
- GREENGUARD Gold
- GREENGUARD Indoor Air Quality Certified
- Contributes to LEED certification credits



futrus.com  
info@futrus.com

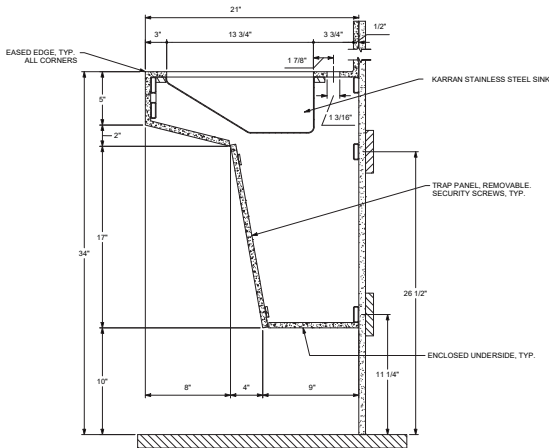
1.877.388.FUTRUS1 [388.7871]

# FUTRUS® INOXI QUARTZ SINK STATION MODULE INTEGRATED STAINLESS STEEL KARRAN® SINK AND QUARTZ COUNTER WITH PLUMBING ENCLOSURE INCLUDED

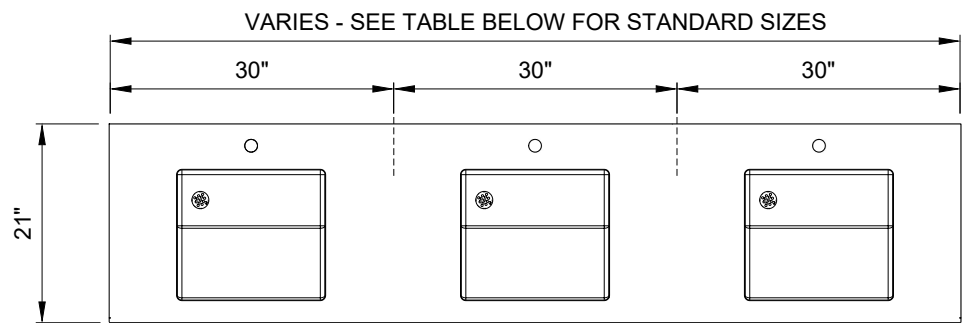
## MODEL FQISMOD

Specification Sheet

Division 22 Plumbing Manufacturers



Typical Section



Top View

### STANDARD SIZES

#### Dimensions (Inches)

Code	Width (X)	Depth	Apron	Basins
FQISMOD_30	30"	21"	5-1/2"	1
FQISMOD_60	60"	21"	5-1/2"	2
FQISMOD_90	90"	21"	5-1/2"	3
FQISMOD_120	120"	21"	5-1/2"	4
CUSTOM				

### TECHNICAL INFORMATION

- All dimensions are nominal
- Futrus® 1-year limited warranty
- Corian® 10-year material warranty

### RECOMMENDED SPECIFICATION- PLUMBING FIXTURES SECTION 22

The Futrus Inoxi Quartz Sink Station Module, model FQISMOD. Basin to be 18-gauge stainless steel. Countertop, backsplash and sidesplash fabricated from Corian® Quartz. Module designed with a Corian® Quartz tamperproof plumbing enclosure. All framing components shall be made of moisture resistant stainless steel. Standard lavatory height at 34" to conform with ANSI, UFAS and ADA standards. Division 22 Plumbing Fixtures.

### EXAMPLE MODEL SPECIFICATION

FQISMOD\_90\_E-505\_3\_SFL\_BS

(Model\_Length\_Basin\_Number of Basins\_Quartz Color\_Optional Extra)

