

# FUTRUS® INOXI SINK STATION MODULE

## INTEGRATE ANTI-SPLASH BACK SINK AND COUNTER MADE WITH SOLID SURFACE WITH PLUMBING ENCLOSURE INCLUDED

### MODEL FISMOD

Specification Sheet

Division 22 Plumbing Manufacturers

#### FEATURES

- 18-gauge stainless steel sink
- 100% acrylic solid surface
- Soft satin finish & radius corners for easy cleaning
- Seamless & nonporous surfaces
- ADA compliant
- Anti-splashback slope
- Range of sink shapes & sizes
- Pre-drilled fixture locations
- Customizable lengths
- Tamperproof plumbing panel included
- Mounting brackets included
- Available in all solid surface colors



#### STANDARD CORIAN® COLOR OPTIONS

Color*	Code	Description
	GW	Glacier White
	CW	Cameo White
	BI	Bisque
	BN	Bone
	VY	Silver Gray
	ALT	Alternate/Custom

Color tiles are for reference only\*  
See full Corian® color options at [futrus.com](http://futrus.com)

#### OPTIONAL UPGRADES

Code	Description
BS	Backsplash*
CS	Coved backsplash
TR	Tamper resistant/fully enclosed

Standard is no backsplash\*

#### BASIN OPTIONS

Model	Description
E-505*	Sloped front and shallow 5-1/2" depth
E-525	Rectangular basin with shallow 5-1/2" depth
E-309	Contoured basin with shallow 5-1/2" depth
Standard*	

#### CORIAN® SOLID SURFACE CERTIFICATIONS

**All Corian® & Corian® Quartz materials are:**

- GREENGUARD certified to resist the growth of viruses, bacteria & mold
- Class 1 (Class A) fire rated
- GREENGUARD Gold
- GREENGUARD Indoor Air Quality Certified
- Contributes to LEED certification credits



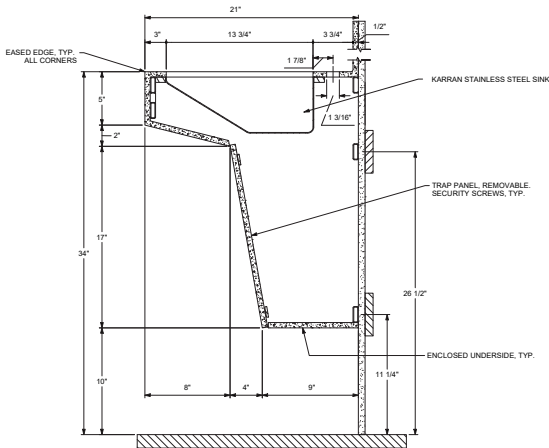
# FUTRUS® INOXI SINK STATION MODULE

## INTEGRATE ANTI-SPLASH BACK SINK AND COUNTER MADE WITH SOLID SURFACE WITH PLUMBING ENCLOSURE INCLUDED

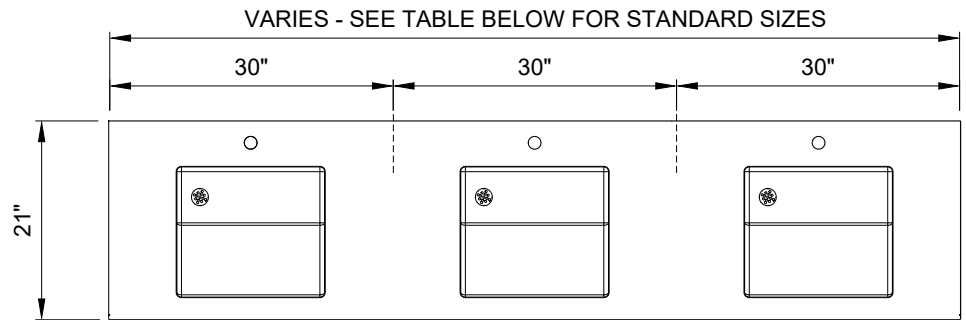
### MODEL FISM0D

Specification Sheet

Division 22 Plumbing Manufacturers



Typical Section



Top View

#### STANDARD SIZES

##### Dimensions (Inches)

Code	Width (X)	Depth	Apron	Basins
FISM0D_30	30"	21"	5-1/2"	1
FISM0D_60	60"	21"	5-1/2"	2
FISM0D_90	90"	21"	5-1/2"	3
FISM0D_120	120"	21"	5-1/2"	4
CUSTOM				

#### TECHNICAL INFORMATION

- All dimensions are nominal
- Futrus® 1-year limited warranty
- Corian® 10-year material warranty

#### RECOMMENDED SPECIFICATION- PLUMBING FIXTURES SECTION 22

The Futrus Inoxi Sink Station Module, model FISM0D. Basin to be 18-gauge stainless steel. Countertop, backsplash and sidesplash fabricated from seamless Corian® solid surface. Module designed with a Corian® tamperproof plumbing enclosure. All framing components shall be made of moisture resistant stainless steel. Standard lavatory height at 34" to conform with ANSI, UFAS and ADA standards. Division 22 Plumbing Fixtures.

#### EXAMPLE MODEL SPECIFICATION

FISM0D\_90\_E-505\_3\_GW\_BS

(Model\_Length\_Basin\_Number of Basins\_Corian Color\_Optional Extra)

