

FUTRUS® INOXI SINK STATION INTEGRATED STAINLESS STEEL KARRAN® SINK AND SOLID SURFACE COUNTER

MODEL FIS

Specification Sheet
Division 22 Plumbing Manufacturers

FEATURES

- 18-gauge stainless steel sink
- 100% Acrylic solid surface counter
- Radius sink corners for easy cleaning
- Seamless & nonporous surfaces
- ADA compliant
- Anti-splashback slope
- Range of sink shapes & sizes
- Available in all solid surface colors
- Pre-drilled fixture locations
- Customizable lengths
- Mounting brackets included



STANDARD CORIAN® COLOR OPTIONS

Color*	Code	Description
	GW	Glacier White
	CW	Cameo White
	BI	Bisque
	BN	Bone
	VY	Silver Gray
	ALT	Alternate/Custom

Color tiles are for reference only*
See full Corian® color options at futrus.com

BASIN OPTIONS

Model	Description
E-505*	Sloped front and shallow 5-1/2" depth
E-525	Rectangular basin with shallow 5-1/2" depth
E-309	Contoured basin with shallow 5-1/2" depth
Standard*	

OPTIONAL UPGRADES

Code	Description
BS	Backsplash*
CS	Coved backsplash

Standard is no backsplash*

CORIAN® SOLID SURFACE CERTIFICATIONS

All Corian® & Corian® Quartz materials are:

- GREENGUARD certified to resist the growth of viruses, bacteria & mold
- Class 1 (Class A) fire rated
- GREENGUARD Gold
- GREENGUARD Indoor Air Quality Certified
- Contributes to LEED certification credits

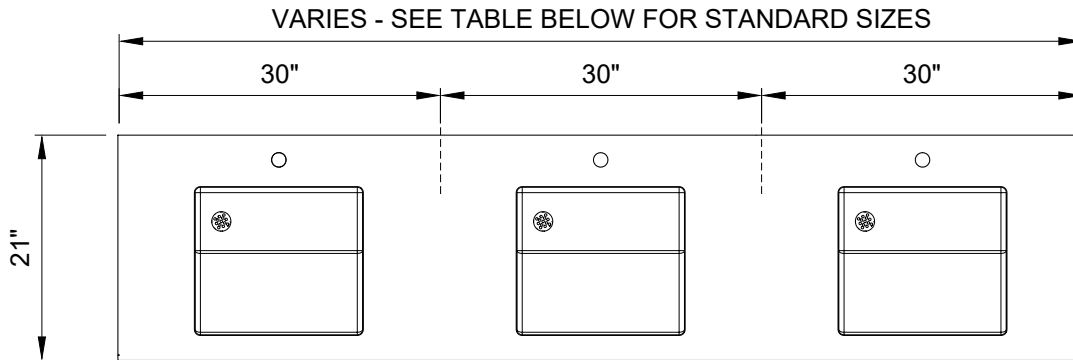


FUTRUS® INOXI SINK STATION INTEGRATED STAINLESS STEEL KARRAN® SINK AND SOLID SURFACE COUNTER

MODEL FIS

Specification Sheet

Division 22 Plumbing Manufacturers



Top View

STANDARD SIZES

Dimensions (Inches)

Code	Width (X)	Depth	Apron	Basins
FIS_30	30"	21"	5-1/2"	1
FIS_60	60"	21"	5-1/2"	2
FIS_90	90"	21"	5-1/2"	3
FIS_120	120"	21"	5-1/2"	4
CUSTOM				

TECHNICAL INFORMATION

- All dimensions are nominal
- Futrus® 1-year limited warranty
- Corian® 10-year material warranty

RECOMMENDED SPECIFICATION- PLUMBING FIXTURES SECTION 22

The Futrus Inoxi Sink Station, model FIS. Basin, countertop, backsplash and sidesplash fabricated from seamless Corian® solid surface. Standard lavatory height at 34" to conform with ANSI, UFAS and ADA standards. Division 22 Plumbing Fixtures.

EXAMPLE MODEL SPECIFICATION

FIS_90_E-505_3_GW_BS

(Model_Length_Basin_Number of Basins__Corian Color_Optional Extra)



futrus.com
info@futrus.com

1.877.388.FUTRUS1 [388.7871]