

# FUTRUS ELIPTA

## CENTER DRAIN UNDER-MOUNT SINK

**FUTRUS**  
SOLUTIONS WITH CORIAN® DESIGN

designed with

**CORIAN**  
SOLID SURFACE

### MODEL F1613

Specification Sheet

Division 22 Plumbing Manufacturers

#### FEATURES

- Made from 100% Corian® solid surface
- Easy-to-clean nonporous surface
- Corian® resists virus, bacteria & mold growth
- Bleach cleanable
- Resists scratching & staining
- Standard with no overflow
- Center drain position

#### STANDARD CORIAN® COLOR OPTIONS

Color*	Code	Description
	00	Glacier White
	01	Cameo White
	02	Bisque
	03	Bone
	04	Silver Gray
	05	Vanilla

\*Color tiles are for reference only  
[See full Corian® color choices](#)



#### CERTIFICATIONS

**All Corian® & Corian® Quartz materials are:**

- GREENGUARD certified to resist the growth of viruses, bacteria & mold
- Class 1 (Class A) fire rated
- GREENGUARD Gold
- GREENGUARD Indoor Air Quality Certified
- NSF/ANSI Standard 51 certified
- Contributes to LEED certification credits

# FUTRUS ELIPTA CENTER DRAIN UNDER-MOUNT SINK

**FUTRUS**  
SOLUTIONS WITH CORIAN® DESIGN

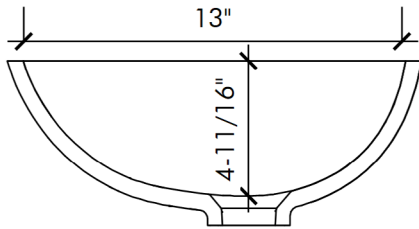
designed with

**CORIAN**  
SOLID SURFACE

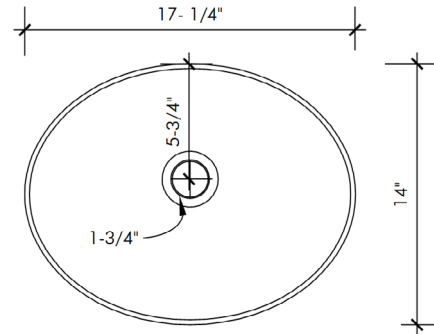
## MODEL F1613

Specification Sheet

Division 22 Plumbing Manufacturers



Side Cross Section



Top View

### STANDARD SIZES

#### Inside Bowl Dimensions (Inches)

Code	Width	Length	Depth
F1613	16 1/8"	13 "	5 1/4"

### TECHNICAL INFORMATION

- All dimensions are nominal
- Futrus® 1-year limited warranty
- Corian® 10-year material warranty

### RECOMMENDED SPECIFICATION- PLUMBING FIXTURES SECTION 22

The Futrus Elipta Sink, model F1613. Sink fabricated from seamless Corian®. Conforms with ANSI, UFAS and ADA standards when installed according to recommendations. Division 22 Plumbing Fixtures.

### EXAMPLE MODEL SPECIFICATION

F1613\_00  
(Model\_Corion Color)